

MULTIPLE CHOICE. Choose the one alternative that best completes the statement or answers the question.

For the given pair of variables determine whether a is a function of b, b is a function of a, both, or neither.

1) a is the number of years of formal education of an adult living in the United States, and b is his or her age in years.

- A) a is a function of b
- B) b is a function of a
- C) Both
- D) Neither

Answer: D

2) a is the radius of any spherical bowling ball, and b is its volume.

- A) b is a function of a
- B) Neither
- C) a is a function of b
- D) Both

Answer: D

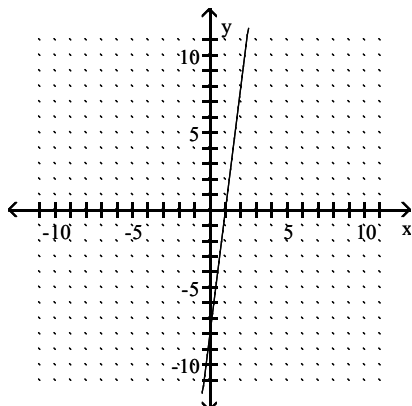
3) a is the savings account number of a customer at a bank, and b is the number of years the account has been active.

- A) a is a function of b
- B) Both
- C) Neither
- D) b is a function of a

Answer: D

Use the vertical line test to determine whether y is a function of x.

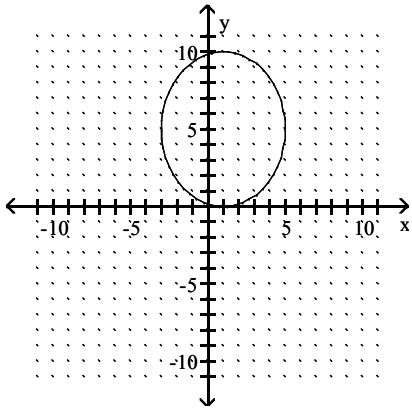
4)



- A) No
- B) Yes

Answer: B

5)

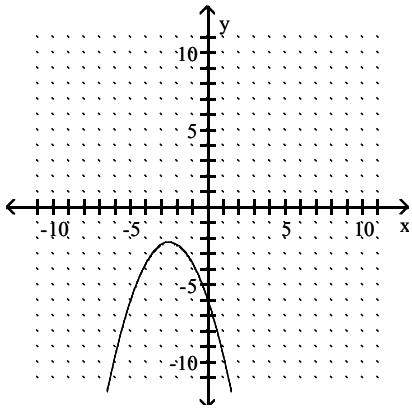


A) Yes

B) No

Answer: B

6)

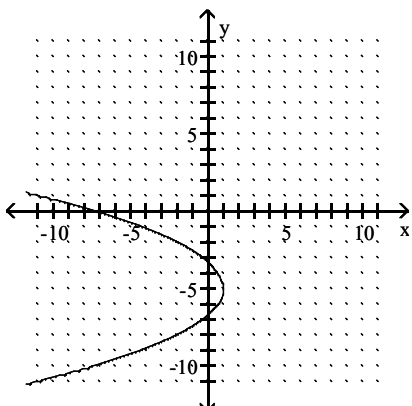


A) No

B) Yes

Answer: B

7)

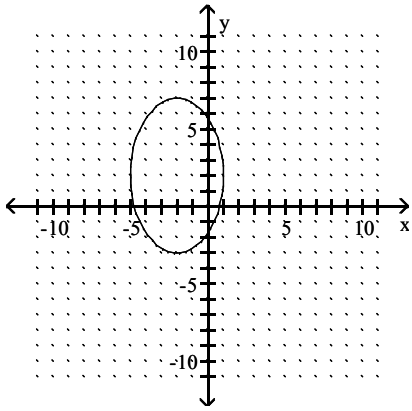


A) No

B) Yes

Answer: A

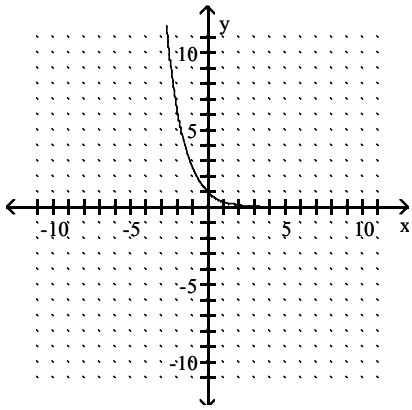
8)



- A) Yes
- B) No

Answer: B

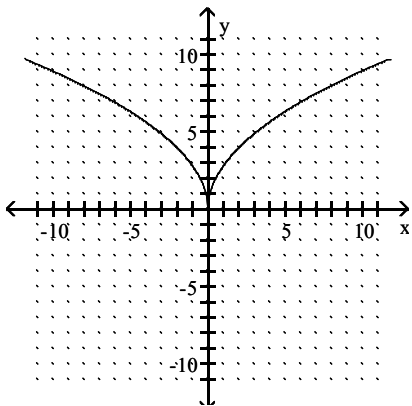
9)



- A) Yes
- B) No

Answer: A

10)



- A) No
- B) Yes

Answer: B

Determine whether the relation is a function.

11) $\{(-1, -2), (3, -3), (6, -9), (7, -2), (12, -4)\}$

A) No

B) Yes

Answer: B

12) $\{(-6, -8), (-3, -4), (3, 6), (3, -8)\}$

A) No

B) Yes

Answer: A

13) $\{(-7, 3), (-7, -4), (2, -4), (5, -5), (10, 9)\}$

A) No

B) Yes

Answer: A

14) $\{(1, -5), (1, 2), (4, 6), (8, 7), (12, 8)\}$

A) Yes

B) No

Answer: B

15) $\{(-3, -8), (-1, -8), (4, -3), (5, 1)\}$

A) Yes

B) No

Answer: A

16) $\{(-8, 3), (-8, 3), (1, -6), (3, -7), (9, -7)\}$

A) No

B) Yes

Answer: A

17) $\{(-8, 4), (-5, -3), (-1, -5), (3, -3)\}$

A) Yes

B) No

Answer: A

18) $\{(-6, 4), (-3, -2), (4, 9), (4, 3)\}$

A) No

B) Yes

Answer: A

19)

x	y
1	1
2	5
1	11
2	9

A) Yes

B) No

Answer: B

20)

x		y
-8		2
-2		9
2		2
8		9

A) No

B) Yes

Answer: B

Determine whether the equation defines y as a function of x.

21) $y = 7x - 3$

A) No

B) Yes

Answer: B

22) $y = -x$

A) Yes

B) No

Answer: A

23) $y = x^2 + 1$

A) Yes

B) No

Answer: A

24) $x = y^3$

A) No

B) Yes

Answer: B

25) $y = -2x^2 - 3x - 4$

A) No

B) Yes

Answer: B

26) $y = -14$

A) No

B) Yes

Answer: B

27) $x = y^2 - 6$

A) Yes

B) No

Answer: B

28) $y^2 = (x - 9)(x + 7)$

A) No

B) Yes

Answer: A

29) $y = \sqrt[5]{x}$

A) Yes

B) No

Answer: A

30) $x = |3y|$

A) No

B) Yes

Answer: A

Find the domain and range.

31) $\{(6, 8), (-7, 1), (12, 7), (10, 5), (-5, -2)\}$

A) $D = \{5, 1, 7, 8, -2\}; R = \{10, -7, 12, 6, -5\}$

B) $D = \{10, 5, -7, 1, 12\}; R = \{7, 6, 8, -5, -2\}$

C) $D = \{7, 6, 8, -5, -2\}; R = \{10, 5, -7, 1, 12\}$

D) $D = \{10, -7, 12, 6, -5\}; R = \{5, 1, 7, 8, -2\}$

Answer: D

32) $\{(3, -3), (3, -9), (-1, 4), (-9, 6), (1, 1)\}$

A) $D = \{6, 1, 4, -9, -3\}; R = \{-9, -9, 1, -1, 3\}$

B) $D = \{-9, 1, -1, 3\}; R = \{6, 1, 4, -9, -3\}$

C) $D = \{-9, -4, 1, -1, 3\}; R = \{6, 1, 4, -9, -3\}$

D) $D = \{-9, -9, 1, -1, 3\}; R = \{6, 1, 4, -9, -3\}$

Answer: B

33) $\{(-2, -3), (-8, 3), (8, 7), (8, 1)\}$

A) $D = \{-8, -2, 8, 8\}; R = \{3, -3, 7, 1\}$

B) $D = \{3, -3, 7, 1\}; R = \{-8, -2, 8\}$

C) $D = \{-8, -2, 8\}; R = \{3, -3, 7, 1\}$

D) $D = \{-8, -2, 8, -8\}; R = \{3, -3, 7, 1\}$

Answer: C

34) $\{(2, -1), (-8, 1), (-1, -3), (6, 5)\}$

A) $D = \{-1, 5, 1, -3\}; R = \{2, 6, -8, -1\}$

B) $D = \{2, 6, -8, -1\}; R = \{-1, 1, 5, 1, -3\}$

C) $D = \{2, 6, -8, -1\}; R = \{-1, -1, 5, 1, -3\}$

D) $D = \{2, 6, -8, -1\}; R = \{-1, 5, 1, -3\}$

Answer: D

35) $y = 4x - 10$

A) $D = [0, \infty); R = (-\infty, \infty)$

B) $D = (-\infty, \infty); R = (-\infty, \infty)$

C) $D = (-\infty, \infty); R = [-10, \infty)$

D) $D = (-\infty, \infty); R = [0, \infty)$

Answer: B

36) $y = 8x^2$

- A) $D = (-\infty, \infty); R = [8, \infty)$
- B) $D = [0, \infty); R = [-8, \infty)$
- C) $D = (-\infty, \infty); R = [0, \infty)$
- D) $D = (-\infty, \infty); R = (-\infty, \infty)$

Answer: C

37) $y = \sqrt{4 + x}$

- A) $D = (-\infty, \infty); R = (-\infty, \infty)$
- B) $D = [-4, \infty); R = [0, \infty)$
- C) $D = (-\infty, \infty); R = [-4, \infty)$
- D) $D = [0, \infty); R = (-\infty, \infty)$

Answer: B

38) $\{(x, y) \mid y = 8\}$

- A) $D = [0, \infty); R = [0, 8]$
- B) $D = (-\infty, \infty); R = (-\infty, \infty)$
- C) $D = (-\infty, \infty); R = \{1\}$
- D) $D = (-\infty, \infty); R = \{8\}$

Answer: D

39) $x = |y|$

- A) $D = [0, \infty); R = [0, \infty)$
- B) $D = (-\infty, \infty); R = [0, \infty)$
- C) $D = [0, \infty); R = (-\infty, \infty)$
- D) $D = (-\infty, \infty); R = (-\infty, \infty)$

Answer: C

Evaluate.

40) If $f(x) = (x - 3)^2$, find $f(-4)$.

- A) 1
- B) -49
- C) -14
- D) 49

Answer: D

41) If $f(x) = -|x - 8|$, find $f(7)$.

- A) -1
- B) 15
- C) -15
- D) 1

Answer: A

42) If $f(x) = -3x^2 - 4x + 5$, find $f(-6)$.

- A) -79
- B) -107
- C) -84
- D) 47

Answer: A

43) If $f(x) = x^3 - 3x^2 + 5x + 3$, find $f(-4)$.

- A) 11
- B) -132
- C) -40
- D) -129

Answer: D

44) If $f = \{(3, 3), (5, -1), (6, 5)\}$ and $g(x) = 2x + 7$, find $f(5) + g(5)$.

- A) 44
- B) 22
- C) 16
- D) 8

Answer: C

45) Find $g(a + 1)$ when $g(x) = \frac{1}{2}x + 5$.

- A) $\frac{1}{2}a - 2$
- B) $\frac{a - 11}{2}$
- C) $\frac{1}{2}a + 5$
- D) $\frac{a + 11}{2}$

Answer: D

46) Find $g(a - 1)$ when $g(x) = 5x - 4$.

- A) $5a - 4$
- B) $5a + 1$
- C) $5a - 9$
- D) $\frac{1}{5}a - 4$

Answer: C

47) Find $f(a + 2)$ when $f(x) = x^2 - 1$.

- A) $a^2 + 4a + 3$
- B) $a^2 + 4a + 4$
- C) $a^2 + 4$
- D) $a^2 + 1$

Answer: A

48) Find $f(k - 1)$ when $f(x) = 4x^2 + 2x + 4$.

- A) $4k^2 - 6k + 6$
- B) $4k^2 + 18k + 10$
- C) $-6k^2 + 4k + 6$
- D) $4k^2 - 6k + 10$

Answer: A

49) If $f(x) = 4x^2 + x$, find $f(x + h) - f(x)$.

- A) $8xh + 4h^2 + 2x + h$
- B) $8xh + 4h^2 + h$
- C) $4h^2 + h$
- D) $8xh + 4h^2$

Answer: B

Solve the problem.

50) A deep sea diving bell is being lowered at a constant rate. After 10 minutes, the bell is at a depth of 500 feet. After 50 minutes the bell is at a depth of 1400 feet. What is the average rate of lowering per minute?

- A) 18.0 ft per minute
- B) 22.5 ft per minute
- C) 0.04 ft per minute
- D) 28.0 ft per minute

Answer: B

51) In January 1983, Anna starts a new job and makes an annual salary of \$38,000. By January 1986 her annual salary has increased to \$46,300, and by January 1991 it has increased to \$167,300. What is the average rate of change of her salary between January 1986 and January 1991?

- A) \$16,163 per year
- B) \$24,200 per year
- C) \$9680 per year
- D) \$25,860 per year

Answer: B

Find the difference quotient, $\frac{f(x + h) - f(x)}{h}$, for the function and simplify it.

52) $f(x) = 8x - 13$

- A) $-8h$
- B) $\frac{13}{8}$
- C) 8
- D) 13

Answer: C

53) $g(x) = 4x^2 + 15x - 5$

- A) $4x + 6 + 8h$
- B) $8xh + 15h + 15h^2$
- C) $8x + 15 + 4h$
- D) $8x + 15$

Answer: C

$$54) q(x) = \frac{1}{x+12}$$

$$A) \frac{-1}{(x+1)^2}$$

$$B) \frac{-12}{(x+h+12)(x+12)}$$

$$C) \frac{-1}{(x+h+12)(x+12)}$$

$$D) \frac{1}{(x+h+12)(x+12)}$$

Answer: C

$$55) a(x) = \sqrt{12x+36}$$

$$A) \frac{2\sqrt{3}}{2\sqrt{x+3}}$$

$$B) \frac{2\sqrt{3}}{\sqrt{x+h+3} - \sqrt{x+3}}$$

$$C) \frac{2\sqrt{3}}{\sqrt{x+h+3} + \sqrt{x+3}}$$

$$D) \frac{6\sqrt{3}}{\sqrt{x+h+3} + \sqrt{x+3}}$$

Answer: C

$$56) p(x) = 3 - 8x^3$$

$$A) -8(3x^2 - 3x - h)$$

$$B) -8(3x^2 + 3xh + h^2)$$

$$C) -9x^2$$

$$D) -8(x^2 - xh - h^2)$$

Answer: B

Solve the problem.

57) Suppose that a rectangular yard has a width of x and a length of $6x$. Write the perimeter P as a function of x .

$$A) P = 6x^2$$

$$B) P = 14x^2$$

$$C) P = 7x$$

$$D) P = 14x$$

Answer: D

58) Suppose that a circular coin has a circumference of C , a radius of r , and a diameter of d . Write C as a function of d .

A) $C = \frac{d}{\pi}$

B) $C = \pi d^2$

C) $C = 2\pi d$

D) $C = \pi d$

Answer: D

59) Elissa wants to set up a rectangular dog run in her backyard. She has 24 feet of fencing to work with and wants to use it all. If the dog run is to be x feet long, express the area of the dog run as a function of x .

A) $A = 11x - x^2$

B) $A = 12x - x^2$

C) $A = 14x^2 - x$

D) $A = 13x - x^2$

Answer: B

60) Bob wants to fence in a rectangular garden in his yard. He has 62 feet of fencing to work with and wants to use it all. If the garden is to be x feet wide, express the area of the garden as a function of x .

A) $A = 33x^2 - x$

B) $A = 30x - x^2$

C) $A = 31x - x^2$

D) $A = 32x - x^2$

Answer: C

61) Sue wants to put a rectangular garden on her property using 60 meters of fencing. There is a river that runs through her property so she decides to increase the size of the garden by using the river as one side of the rectangle. (Fencing is then needed only on the other three sides.) Let x represent the length of the side of the rectangle along the river. Express the garden's area as a function of x .

A) $A = 30x^2 - x$

B) $A = 30x - \frac{1}{2}x^2$

C) $A = 31x - 2x^2$

D) $A = 29x - \frac{1}{4}x^2$

Answer: B

62) A rectangular sign is being designed so that the length of its base, in feet, is 18 feet less than 4 times the height, h . Express the area of the sign as a function of h .

A) $A = -18h + h^2$

B) $A = -18h^2 + 2h$

C) $A = -18h + 4h^2$

D) $A = 18h - 2h^2$

Answer: C

- 63) Assume that the sales of a certain appliance dealer are approximated by a linear function. Suppose that sales were \$13,500 in 1982 and \$52,500 in 1987. Let $x = 0$ represent 1982. Find the equation giving yearly sales $S(x)$.
- A) $S(x) = 39,000x + 13,500$
 - B) $S(x) = 7800x + 52,500$
 - C) $S(x) = 39,000x + 52,500$
 - D) $S(x) = 7800x + 13,500$

Answer: D

- 64) Let $C(x) = 600 + 60x$ be the cost to manufacture x items. Find the average cost per item, to the nearest dollar, to produce 30 items.
- A) \$80
 - B) \$1320
 - C) \$330
 - D) \$315

Answer: A

- 65) Let $R(x) = -13x + 163$ represent the number of students present in a large class, where x represents the number of hours of study required weekly. What is the rate of change of the number of students in the class with respect to the number of hours of study?
- A) 163
 - B) 13
 - C) -163
 - D) -13

Answer: D

- 66) The cost of manufacturing a molded part is related to the quantity of parts produced during a production run. When 100 parts are produced, the cost is \$300. When 300 parts are produced, the cost is \$1300. What is the average cost per part?
- A) \$3.33 per part
 - B) \$0.20 per part
 - C) \$6.00 per part
 - D) \$5.00 per part

Answer: D

- 67) Suppose the sales of a particular brand of appliance satisfy the relationship $S(x) = 70x + 5800$, where $S(x)$ represents the number of sales in year x , with $x = 0$ corresponding to 1982. In what year would the sales be 6360?
- A) 1991
 - B) 1990
 - C) 1988
 - D) 1993

Answer: B

- 68) The mathematical model $C = 700x + 50,000$ represents the cost in dollars a company has in manufacturing x items during a month. How many items were produced if costs reached \$470,000?
- A) 469,300 items
 - B) 600 items
 - C) 529 items
 - D) 743 items

Answer: B

- 69) The revenue in dollars from the sale of concert tickets at x dollars each is given by the function $R(x) = 18,000x - 500x^2$. Find the difference quotient when $x = 24$ and $h = 0.1$. Interpret the result.
- A) At 24 per ticket, revenue is decreasing at \$6050 per dollar change in ticket price.
 - B) At 24 per ticket, revenue is increasing at \$605 per dollar change in ticket price.
 - C) At 24 per ticket, revenue is increasing at \$6050 per dollar change in ticket price.
 - D) At 24 per ticket, revenue is decreasing at \$605 per dollar change in ticket price.

Answer: A

- 70) The amount of tin A (in square inches) needed to make a tin can with radius r inches and volume 25 cubic inches can be found by the function $A(r) = \frac{50}{r} + 2\pi r^2$. Find the difference quotient when $r = 2.6$ in. and $h = 0.1$.

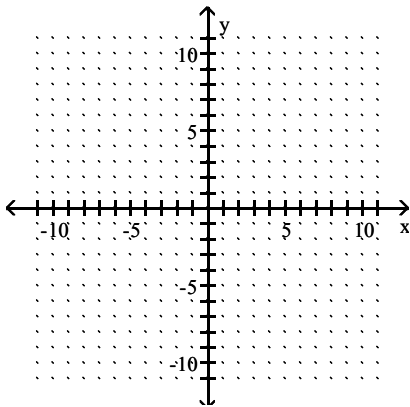
Use 3.14 for π . Interpret the result.

- A) At $r = 2.6$ in., A is increasing at 262 in.² per 1 in. increase in r .
- B) At $r = 2.6$ in., A is decreasing at 26.2 in.² per 1 in. increase in r .
- C) At $r = 2.6$ in., A is decreasing at 262 in.² per 1 in. increase in r .
- D) At $r = 2.6$ in., A is increasing at 26.2 in.² per 1 in. increase in r .

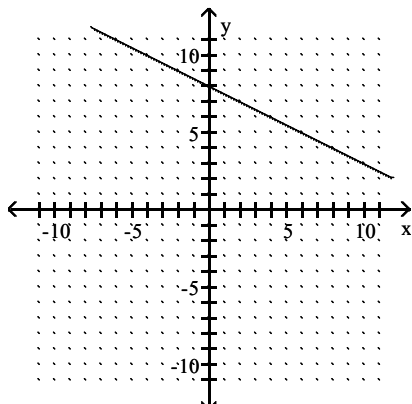
Answer: D

Graph the equation by plotting ordered pairs of numbers.

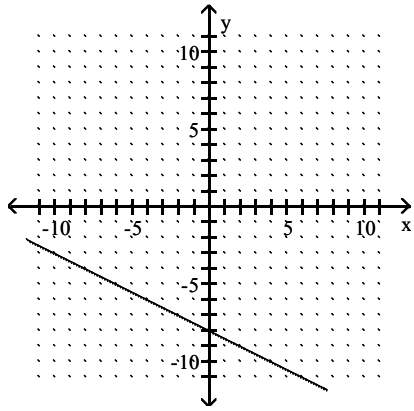
71) $2x = y + 8$



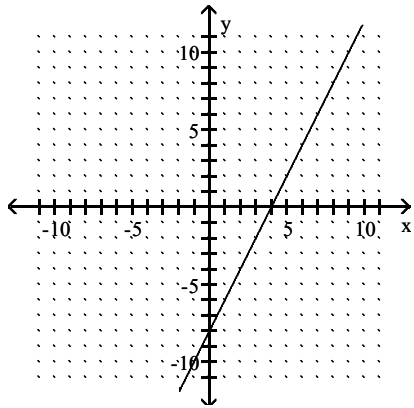
A)



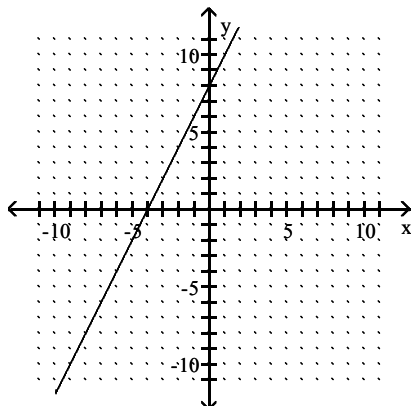
B)



C)

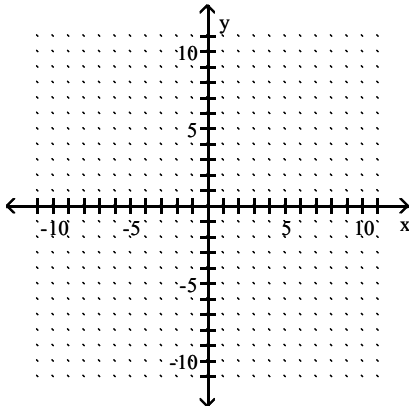


D)

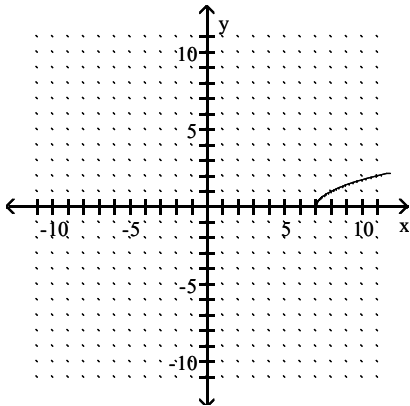


Answer: C

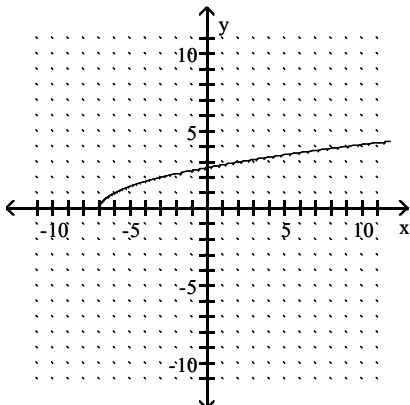
72) $y = \sqrt{x+7}$



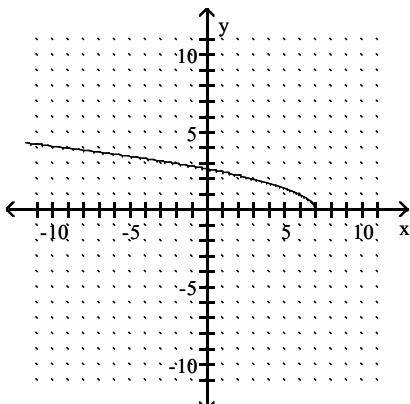
A)



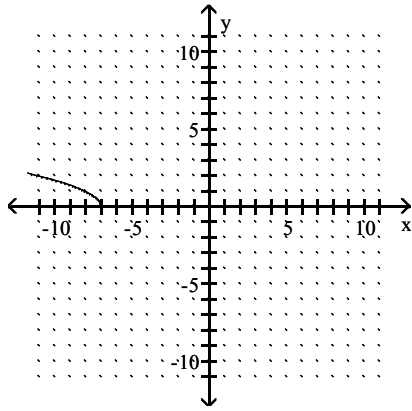
B)



C)

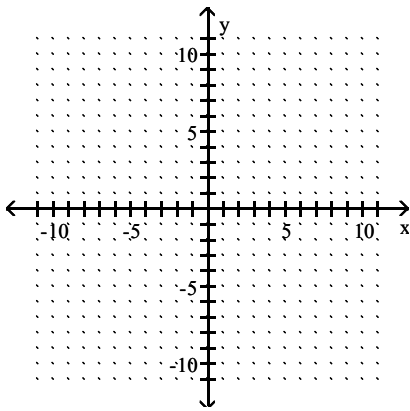


D)

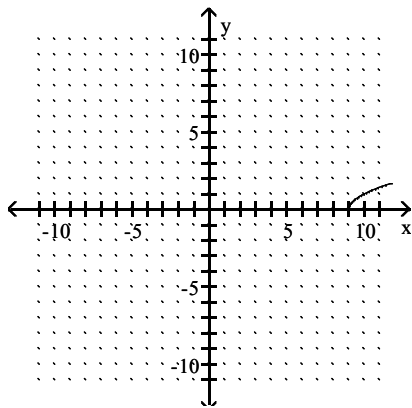


Answer: B

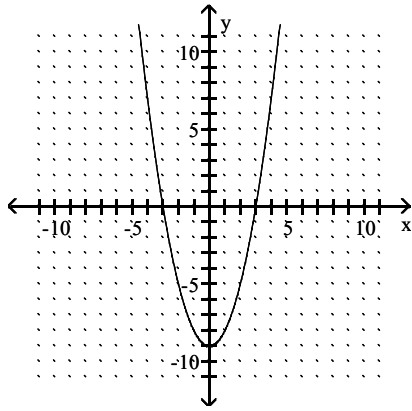
73) $y = -\sqrt{9 - x}$



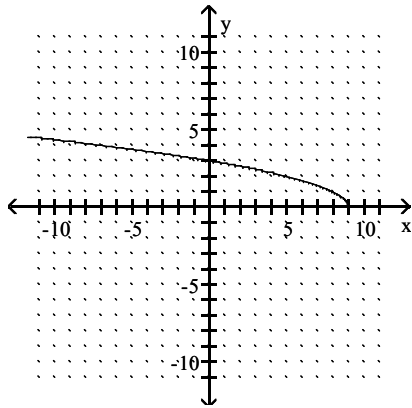
A)



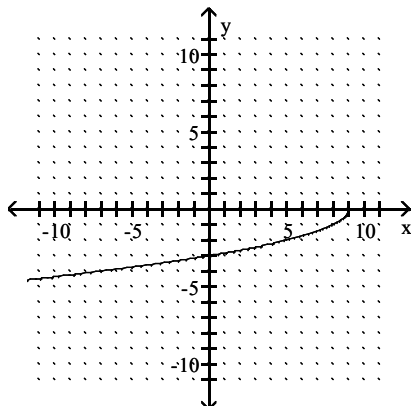
B)



C)

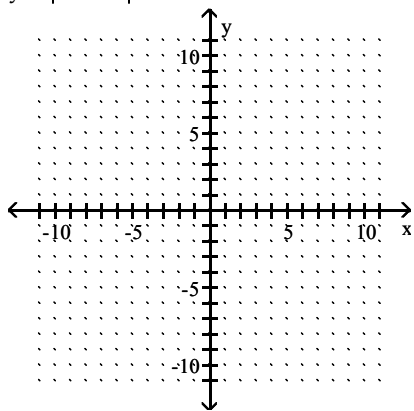


D)

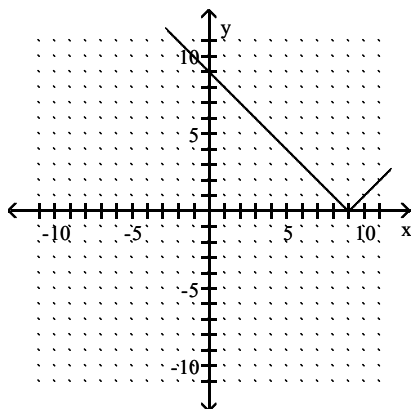


Answer: D

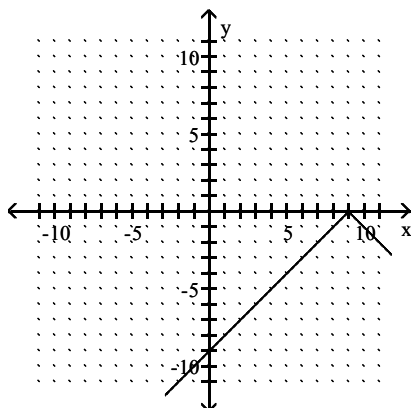
74) $y = |9 - x|$



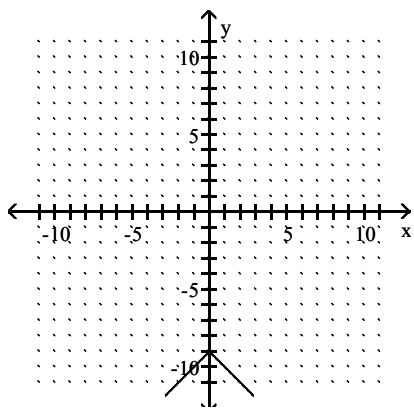
A)



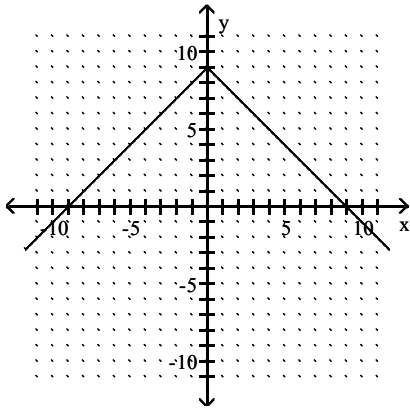
B)



C)

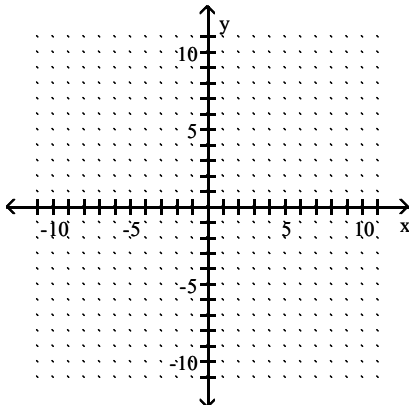


D)

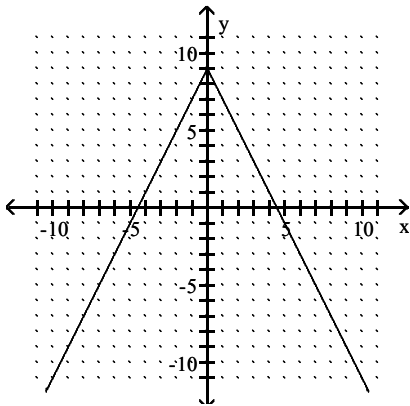


Answer: A

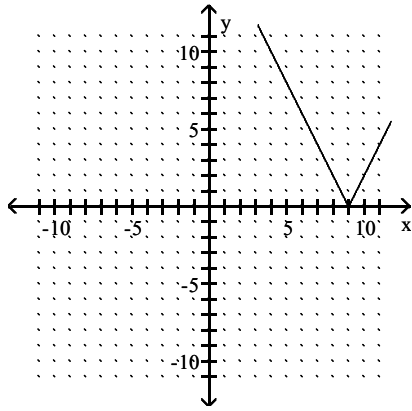
75) $y = 2|x| - 9$



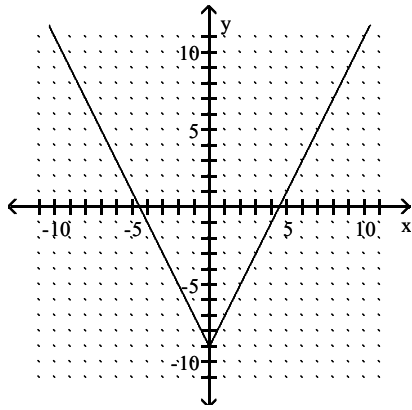
A)



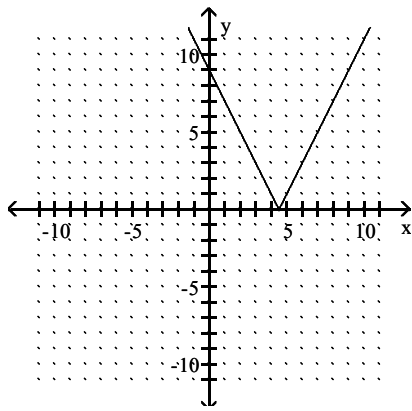
B)



C)

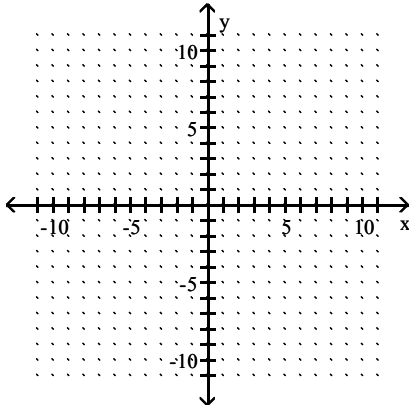


D)

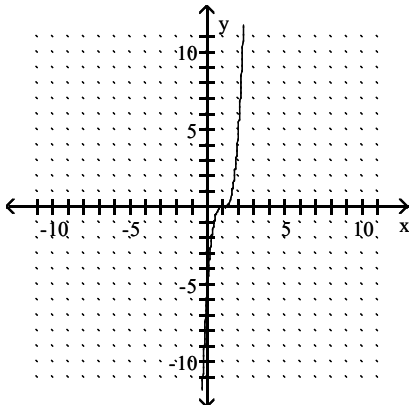


Answer: C

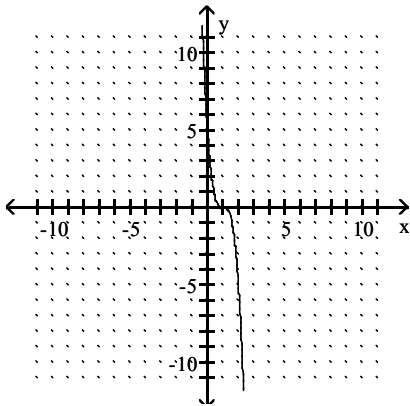
$$76) y = -\frac{1}{5}(x-1)^3$$



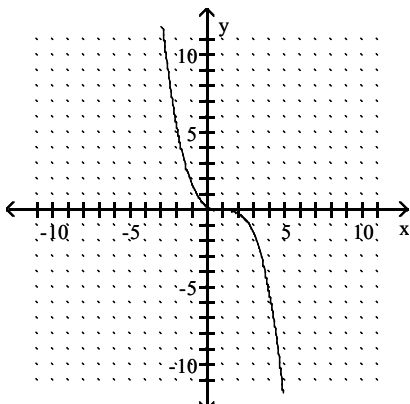
A)



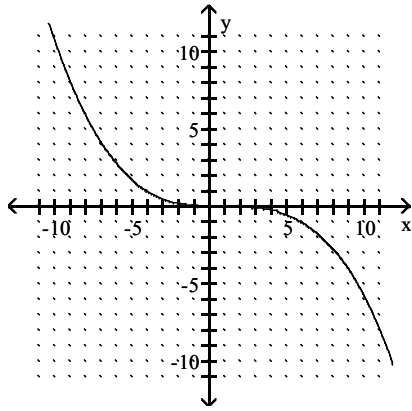
B)



C)

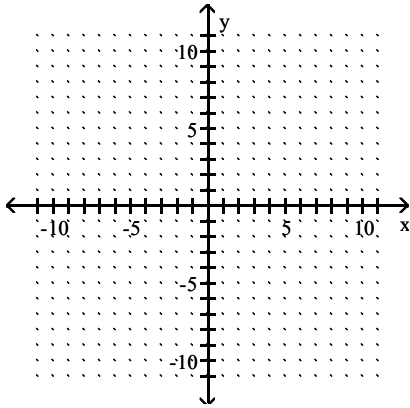


D)

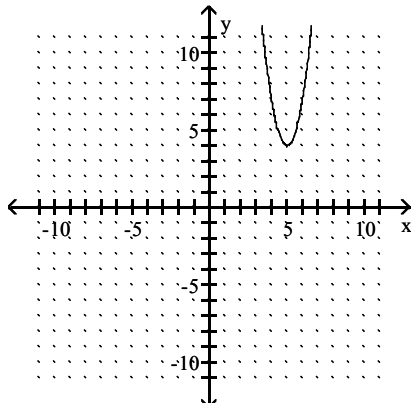


Answer: C

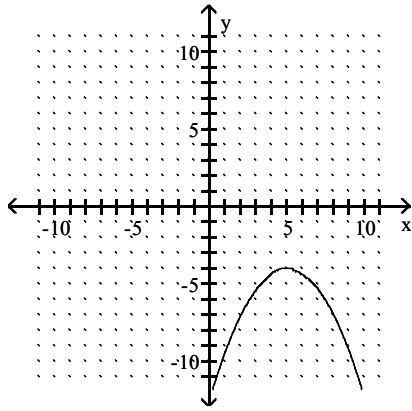
$$77) y = -\frac{1}{3}(x - 5)^2 - 4$$



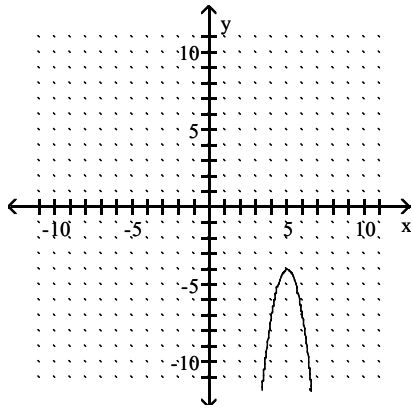
A)



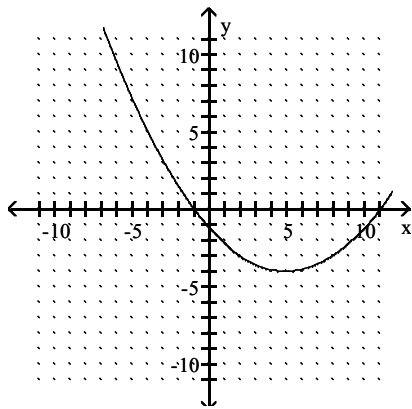
B)



C)



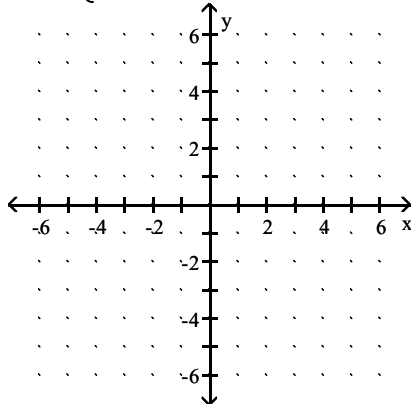
D)



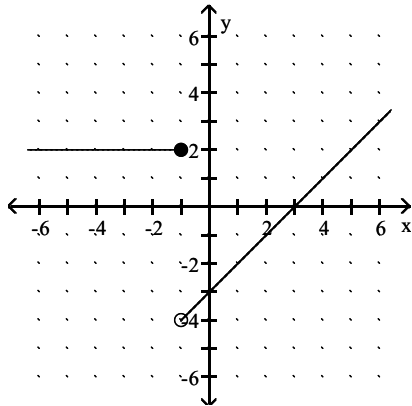
Answer: B

Graph the function.

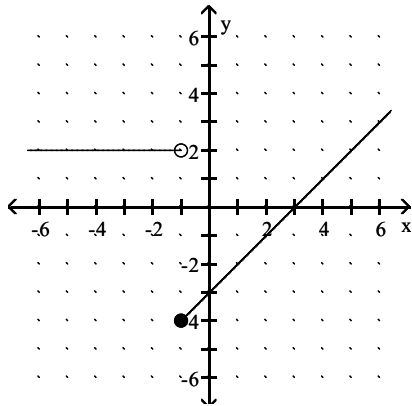
$$78) f(x) = \begin{cases} 2 & \text{for } x \geq 1 \\ -3 - x & \text{for } x < 1 \end{cases}$$



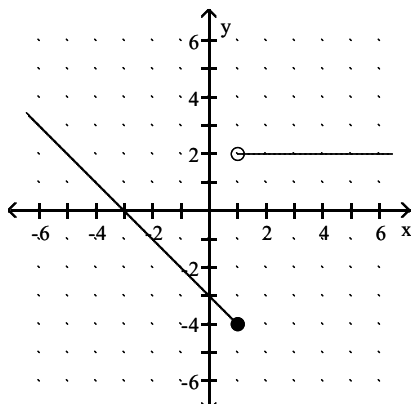
A)



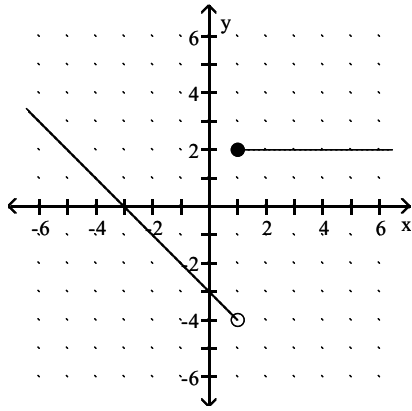
B)



C)

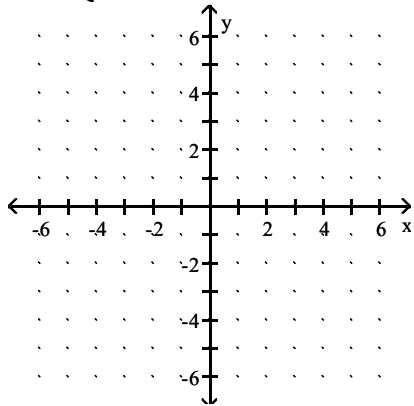


D)

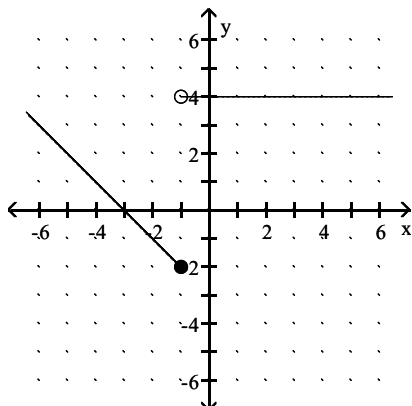


Answer: D

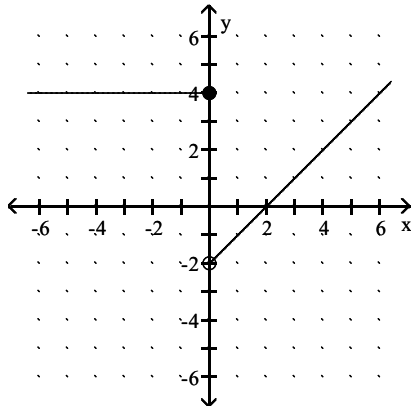
$$79) f(x) = \begin{cases} x - 2 & \text{for } x > 0 \\ 4 & \text{for } x \leq 0 \end{cases}$$



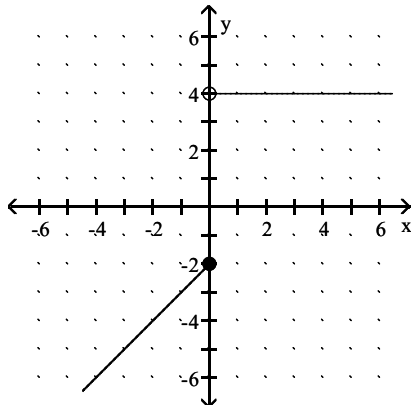
A)



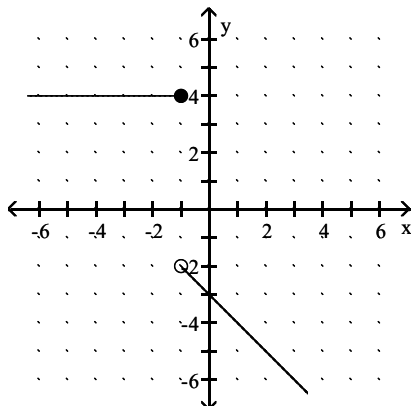
B)



C)

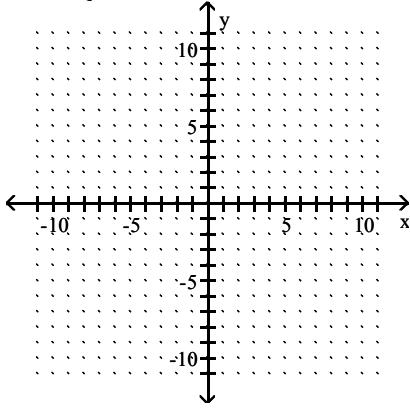


D)

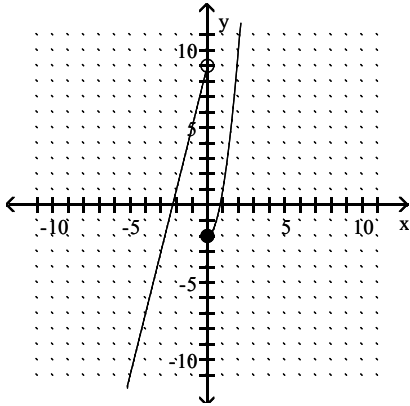


Answer: B

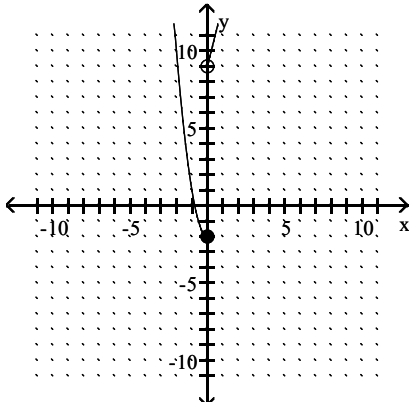
$$80) f(x) = \begin{cases} 4x + 9 & \text{for } x < 0 \\ 3x^2 - 2 & \text{for } x \geq 0 \end{cases}$$



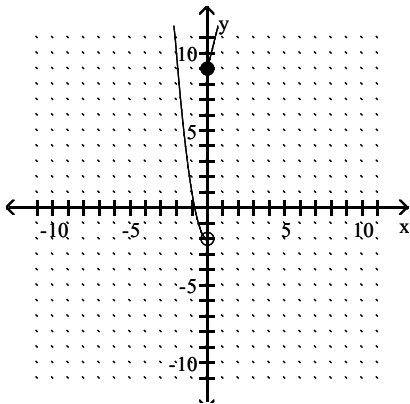
A)



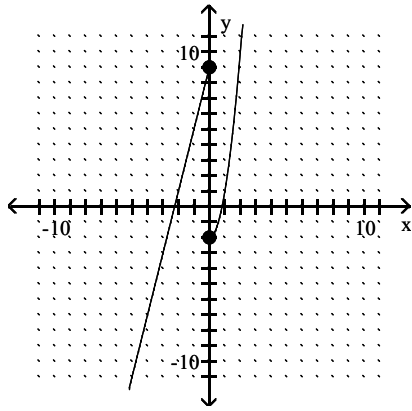
B)



C)

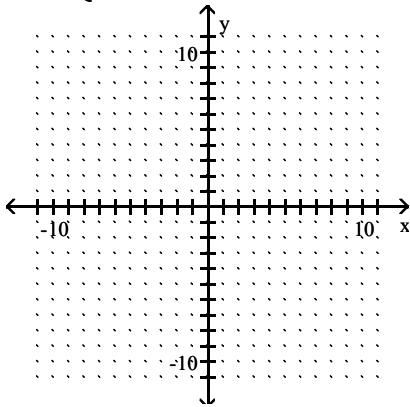


D)

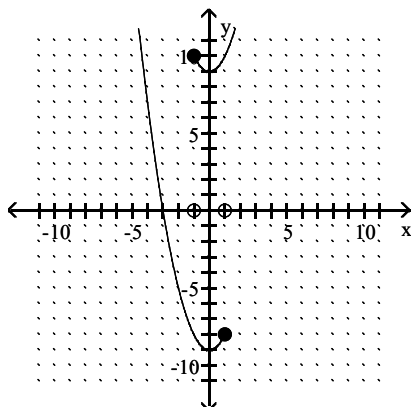


Answer: A

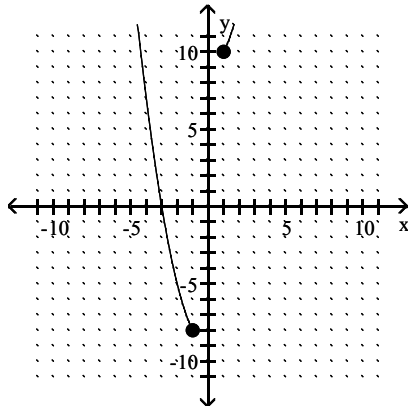
$$81) f(x) = \begin{cases} x^2 - 9 & \text{for } x < -1 \\ 0 & \text{for } -1 \leq x \leq 1 \\ x^2 + 9 & \text{for } x > 1 \end{cases}$$



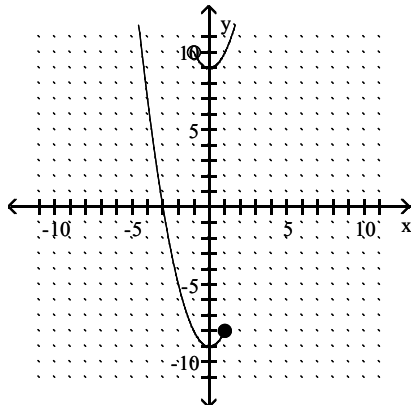
A)



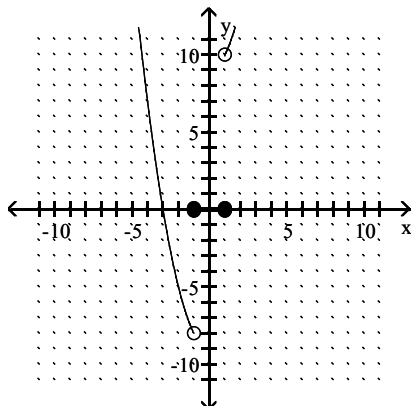
B)



C)

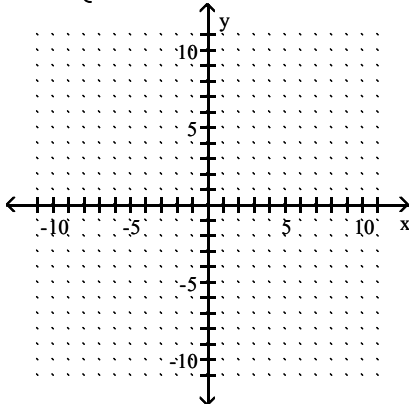


D)

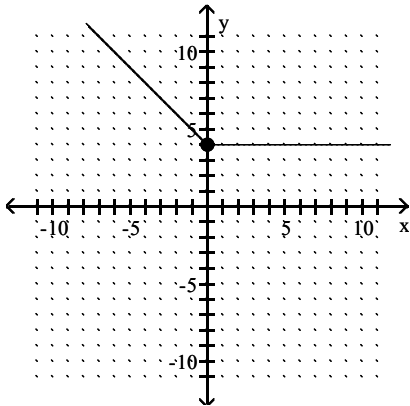


Answer: D

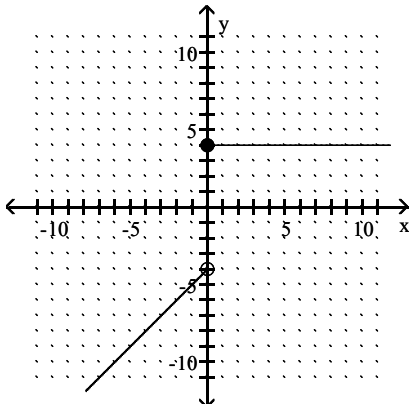
$$82) f(x) = \begin{cases} |x| + 4 & \text{for } x < 0 \\ 4 & \text{for } x \geq 0 \end{cases}$$



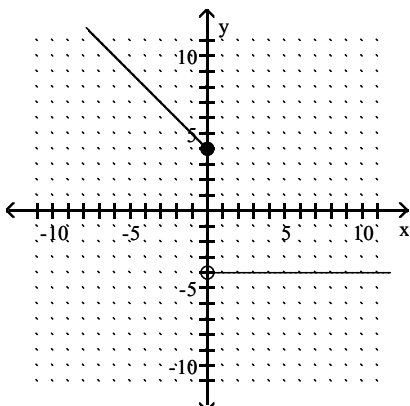
A)



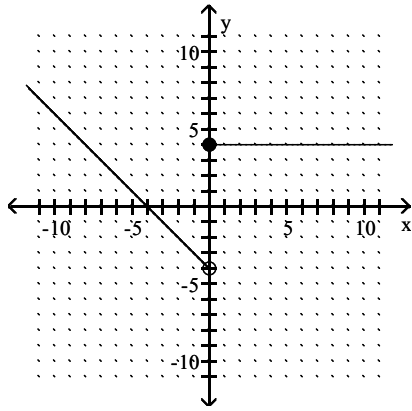
B)



C)

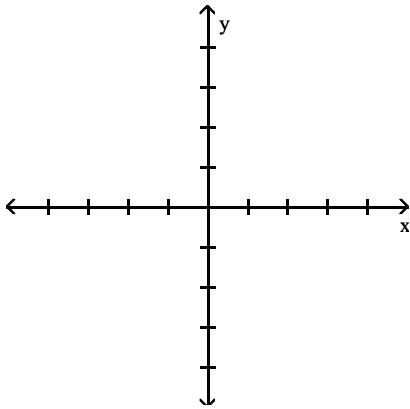


D)

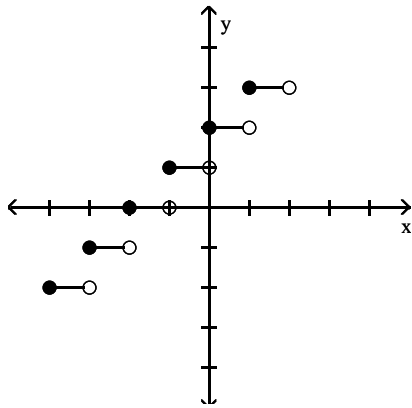


Answer: A

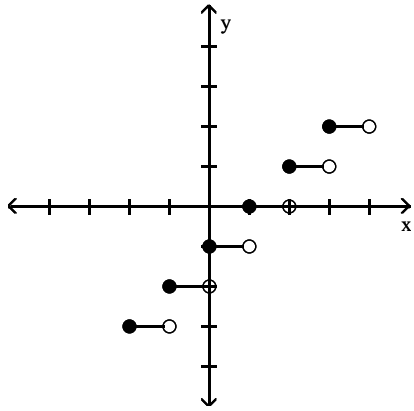
83) $f(x) = \lceil \lceil x \rceil \rceil + 1$



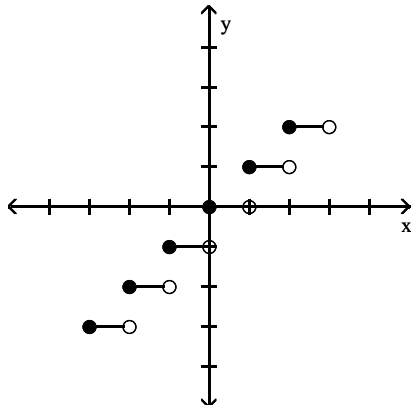
A)



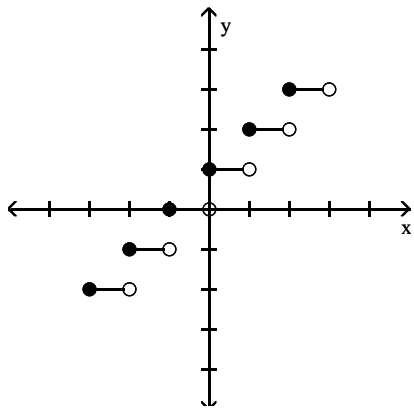
B)



C)

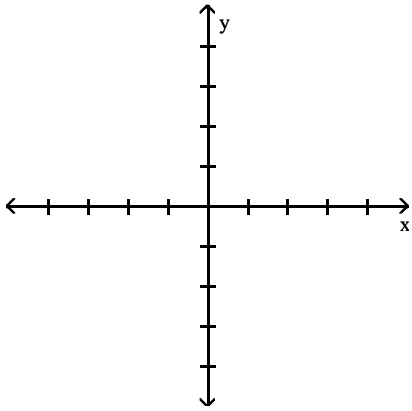


D)

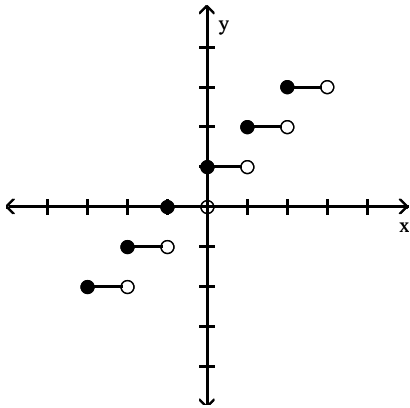


Answer: D

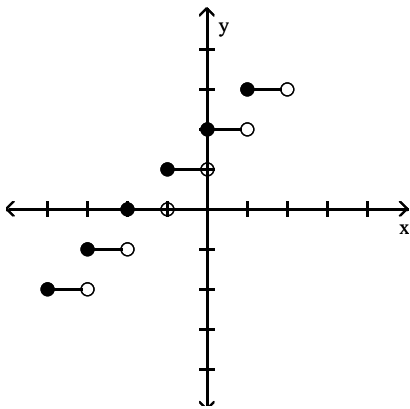
84) $f(x) = \llbracket x + 1 \rrbracket$



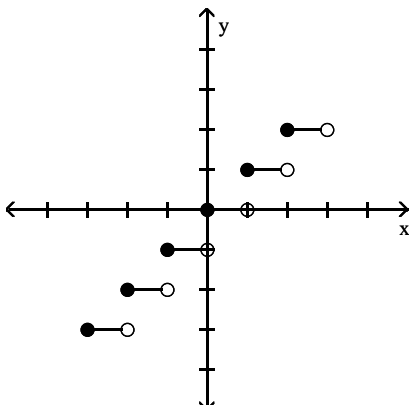
A)



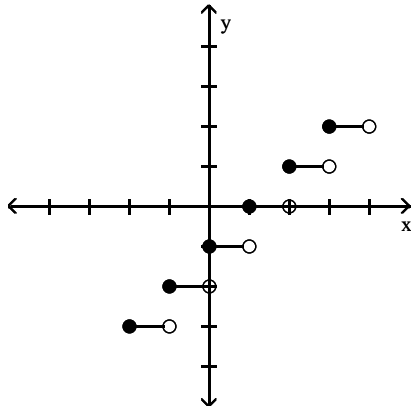
B)



C)

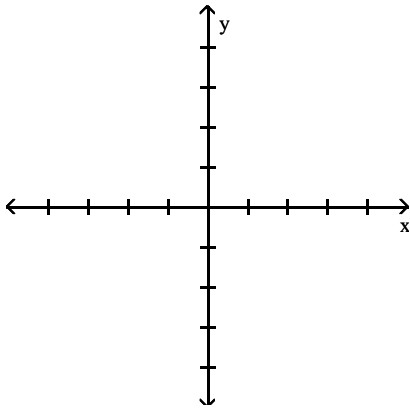


D)

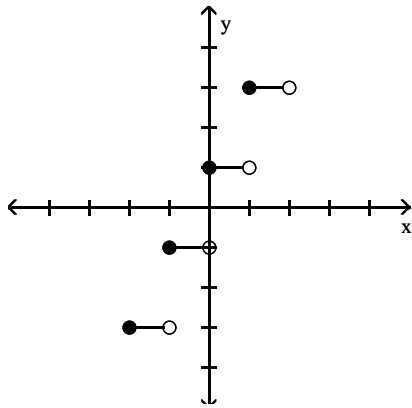


Answer: A

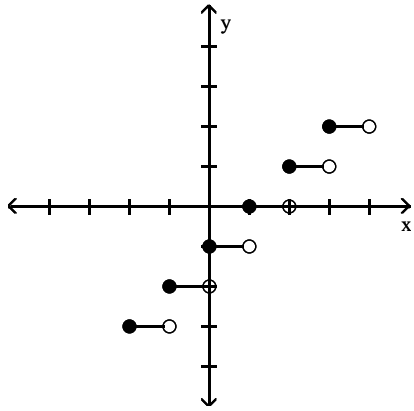
85) $f(x) = \lceil x \rceil - 1$



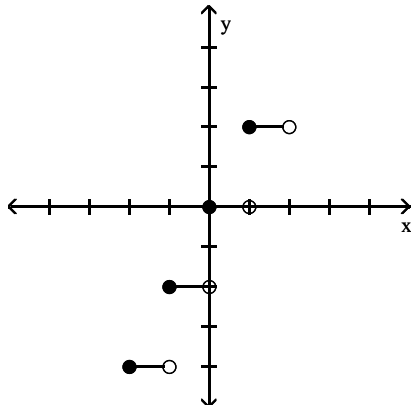
A)



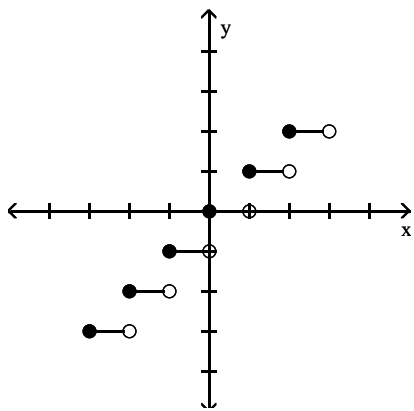
B)



C)

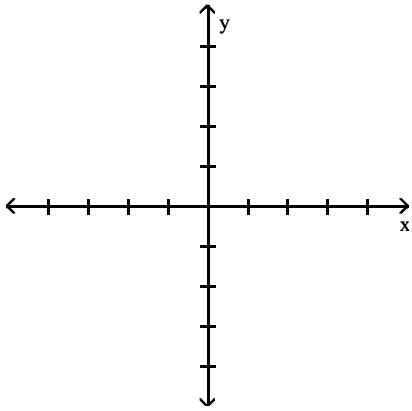


D)

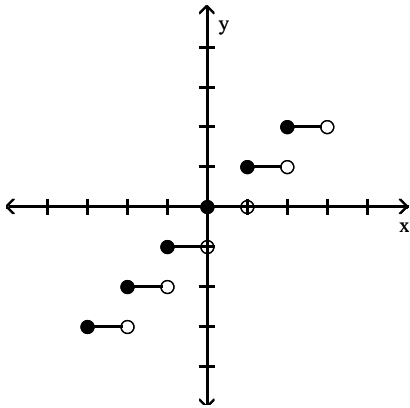


Answer: B

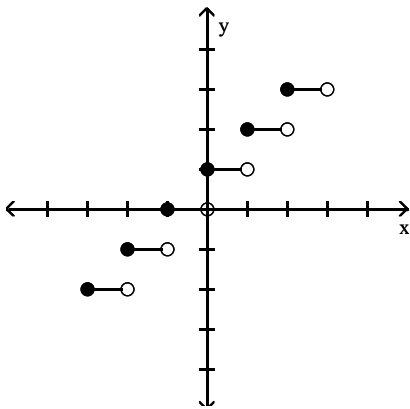
86) $f(x) = \lfloor \lfloor x - 1 \rfloor \rfloor$



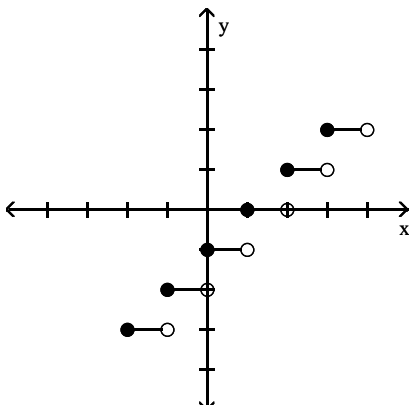
A)



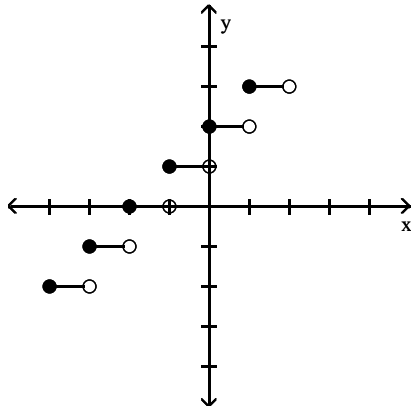
B)



C)

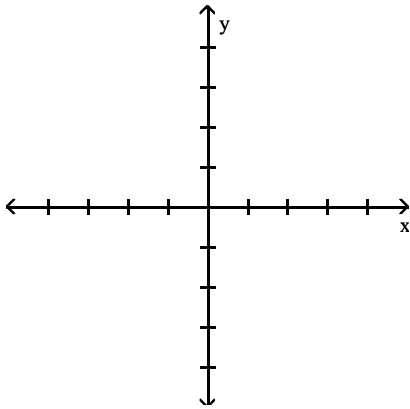


D)

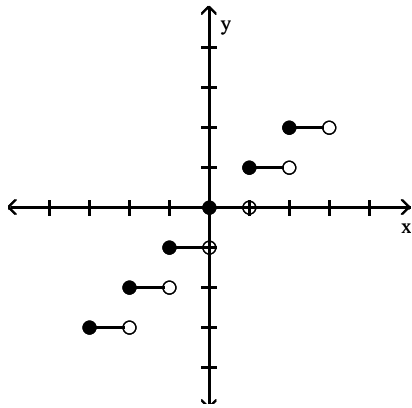


Answer: C

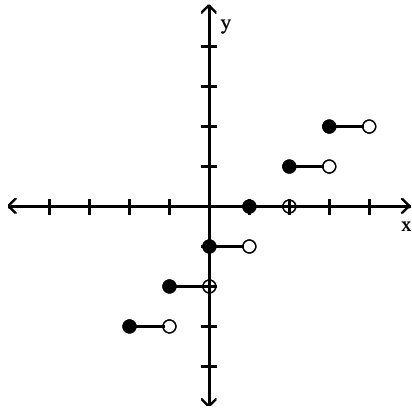
87) $f(x) = 2\lceil x \rceil$



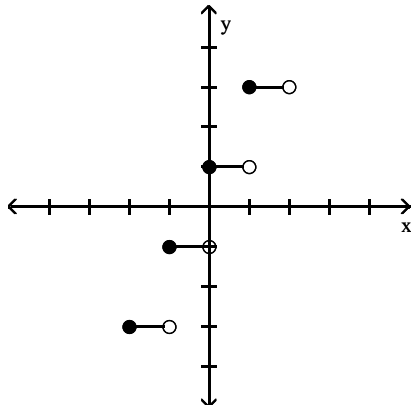
A)



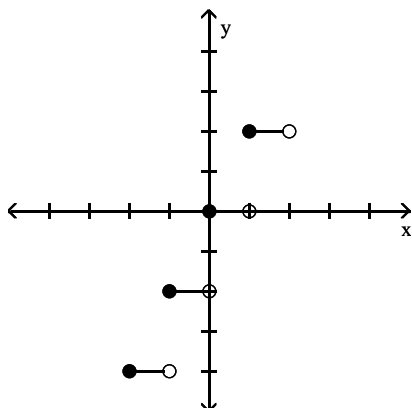
B)



C)



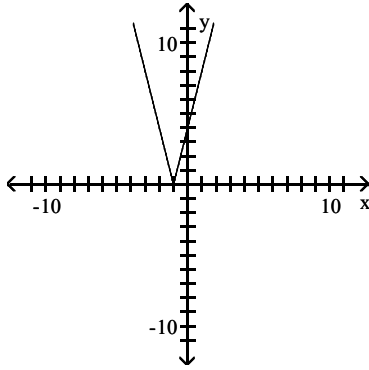
D)



Answer: D

Determine the intervals on which the function is increasing, decreasing, and constant.

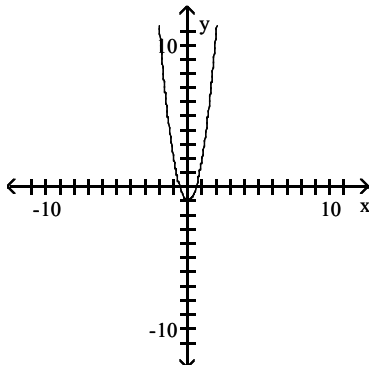
88)



- A) Increasing on $(-\infty, -1)$; Decreasing on $(-1, \infty)$
- B) Increasing on $(-\infty, 1)$; Decreasing on $(1, \infty)$
- C) Increasing on $(-1, \infty)$; Decreasing on $(-\infty, -1)$
- D) Increasing on $(1, \infty)$; Decreasing on $(-\infty, 1)$

Answer: C

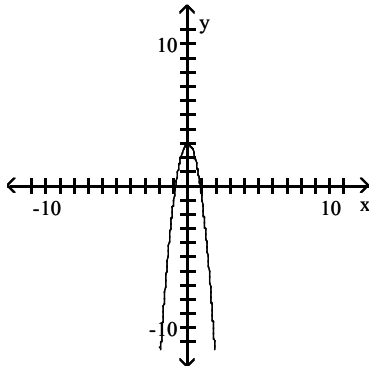
89)



- A) Increasing on $(\infty, 0)$; Decreasing on $(0, -\infty)$
- B) Increasing on $(-\infty, 0)$; Decreasing on $(-\infty, 0)$
- C) Increasing on $(-\infty, 0)$; Decreasing on $(0, \infty)$
- D) Increasing on $(0, \infty)$; Decreasing on $(-\infty, 0)$

Answer: D

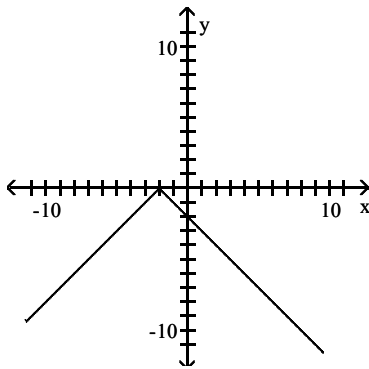
90)



- A) Increasing on $(-\infty, 0)$; Decreasing on $(0, \infty)$
- B) Increasing on $(-\infty, 0)$; Decreasing on $(-\infty, 0)$
- C) Increasing on $(0, \infty)$; Decreasing on $(-\infty, 0)$
- D) Increasing on $(\infty, 0)$; Decreasing on $(0, -\infty)$

Answer: A

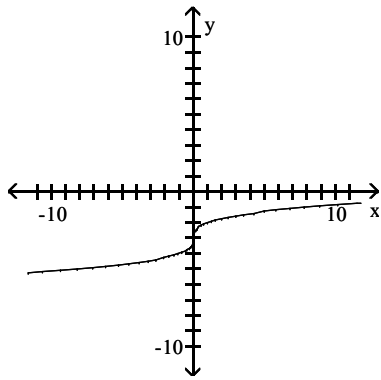
91)



- A) Increasing on $(-2, \infty)$; Decreasing on $(-2, \infty)$
- B) Increasing on $(-\infty, -2)$; Decreasing on $(-2, \infty)$
- C) Increasing on $(-\infty, -2)$; Decreasing on $(-\infty, -2)$
- D) Increasing on $(-2, \infty)$; Decreasing on $(-\infty, -2)$

Answer: B

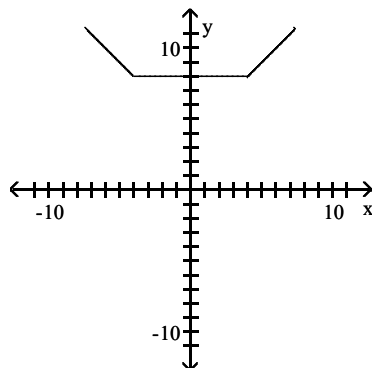
92)



- A) Increasing on $(-\infty, 0)$; Decreasing on $(0, \infty)$
- B) Decreasing on $(-\infty, \infty)$
- C) Increasing on $(-\infty, \infty)$
- D) Increasing on $(0, \infty)$; Decreasing on $(-\infty, 0)$

Answer: C

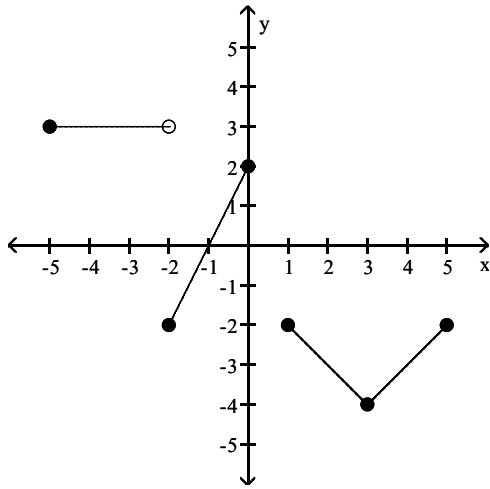
93)



- A) Increasing on $(4, \infty)$; Decreasing on $(-\infty, -4)$; Constant on $(-4, 4)$
- B) Increasing on $(4, \infty)$; Decreasing on $(-\infty, -4)$; Constant on $(-4, 4)$
- C) Increasing on $(-\infty, 4)$; Decreasing on $(-4, \infty)$; Constant on $(4, \infty)$
- D) Increasing on $(-\infty, 4)$; Decreasing on $(-\infty, -4)$; Constant on $(4, \infty)$

Answer: B

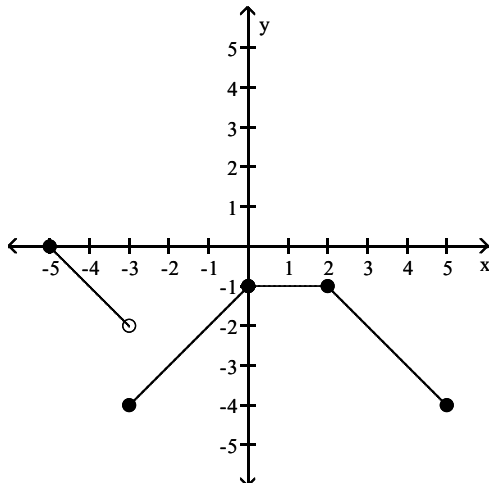
94)



- A) Increasing on $(-2, 0)$ and $(3, 5)$; Decreasing on $(1, 3)$; Constant on $(-5, -2)$
- B) Increasing on $(-2, 0)$ and $(3, 4)$; Decreasing on $(-5, -2)$ and $(1, 3)$
- C) Increasing on $(1, 3)$; Decreasing on $(-2, 0)$ and $(3, 5)$; Constant on $(2, 5)$
- D) Increasing on $(-1, 0)$ and $(3, 5)$; Decreasing on $(0, 3)$; Constant on $(-5, -3)$

Answer: A

95)



- A) Increasing on $(-3, -1)$; Decreasing on $(-5, -2)$ and $(2, 4)$; Constant on $(-1, 2)$
- B) Increasing on $(-3, 0)$; Decreasing on $(-5, -3)$ and $(2, 5)$; Constant on $(0, 2)$
- C) Increasing on $(-5, -3)$ and $(2, 5)$; Decreasing on $(-3, 0)$; Constant on $(0, 2)$
- D) Increasing on $(-3, 1)$; Decreasing on $(-5, -3)$ and $(0, 5)$; Constant on $(1, 2)$

Answer: B

Find the domain and range.

96) $f(x) = \sqrt{x^2 - 36}$

- A) $D = [-6, 6]$, $R = [0, \infty)$
- B) $D = (-\infty, \infty)$, $R = [0, \infty)$
- C) $D = (-\infty, -6] \cup [6, \infty)$, $R = (-\infty, \infty)$
- D) $D = (-\infty, -6] \cup [6, \infty)$, $R = [0, \infty)$

Answer: D

$$97) f(x) = \frac{x+6}{|x+6|}$$

- A) $D = (-\infty, -6) \cup (-6, \infty)$, $R = \{-1, 1\}$
 B) $D = (-\infty, -6) \cup (-6, \infty)$, $R = [0, \infty)$
 C) $D = (-\infty, 6) \cup (6, \infty)$, $R = \{-1, 1\}$
 D) $D = (-\infty, 6) \cup (6, \infty)$, $R = (-\infty, \infty)$

Answer: A

Identify the intervals on which the given function is increasing, decreasing, or constant.

98)

$$f(x) = \begin{cases} x+2 & \text{for } x < -6 \\ \sqrt{36-x^2} & \text{for } -6 \leq x \leq 6 \\ -5 & \text{for } x > 6 \end{cases}$$

- A) inc $(-\infty, -6)$, $(-6, 0)$
 dec $(0, 6)$, $(6, \infty)$
 B) inc $(-\infty, -6)$, $(-6, 0)$
 dec $(0, 6)$
 const $(6, \infty)$
 C) inc $(-\infty, -6)$, $(0, 6)$
 dec $(-6, 0)$
 const $(6, \infty)$
 D) inc $(-6, 0)$
 dec $(0, 6)$
 const $(-\infty, -6)$, $(6, \infty)$

Answer: B

99)

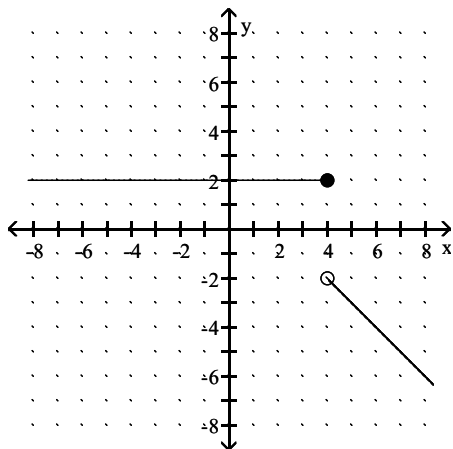
$$f(x) = \begin{cases} (x+3)^2 & \text{for } x < 0 \\ |x-5| & \text{for } x \geq 0 \end{cases}$$

- A) inc $(5, \infty)$
 dec $(-\infty, 0)$, $(0, 5)$
 B) inc $(-3, 0)$
 dec $(-\infty, -3)$
 const $(0, \infty)$
 C) inc $(-\infty, -3)$, $(0, 5)$
 dec $(-3, 0)$, $(5, \infty)$
 D) inc $(-3, 0)$, $(5, \infty)$
 dec $(-\infty, -3)$, $(0, 5)$

Answer: D

Write a piecewise function for the given graph.

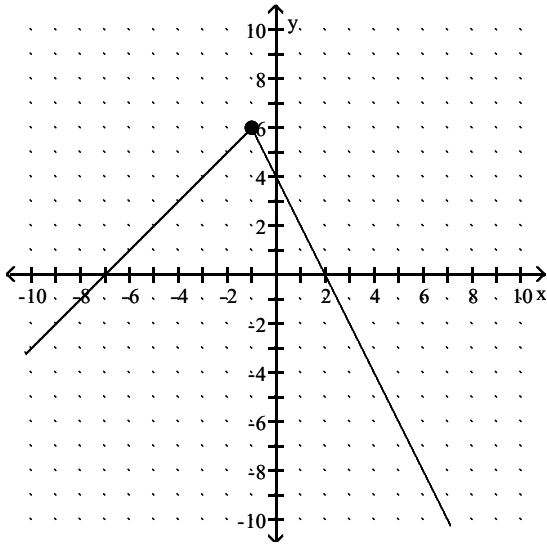
100)



- A) $f(x) = \begin{cases} 2 & \text{for } x < 0 \\ 2 - x & \text{for } x \geq 0 \end{cases}$
- B) $f(x) = \begin{cases} 2 & \text{for } x \leq 4 \\ 2 - x & \text{for } x > 4 \end{cases}$
- C) $f(x) = \begin{cases} 2 & \text{for } x < 4 \\ x - 2 & \text{for } x \geq 4 \end{cases}$
- D) $f(x) = \begin{cases} 2 & \text{for } x \leq 4 \\ -2 - x & \text{for } x > 4 \end{cases}$

Answer: B

101)



- A) $f(x) = \begin{cases} x + 7 & \text{for } x < -1 \\ 4 - x & \text{for } x \geq -1 \end{cases}$
- B) $f(x) = \begin{cases} x + 7 & \text{for } x < -1 \\ 4 - 2x & \text{for } x \geq -1 \end{cases}$
- C) $f(x) = \begin{cases} x + 6 & \text{for } x < -1 \\ 6 - 2x & \text{for } x \geq -1 \end{cases}$
- D) $f(x) = \begin{cases} x + 7 & \text{for } x < -1 \\ -2x & \text{for } x \geq -1 \end{cases}$

Answer: B

Use the minimum and maximum features of a graphing calculator to find approximately the intervals on which the function is increasing or decreasing. Round your values to two decimal places, if necessary.

102) $y = -6x^2 - 2x + 8$

- A) inc $(-1.33, -0.17)$, dec $(-0.17, -1.33, \infty)$
- B) dec $(-\infty, -0.17)$, inc $(-0.17, \infty)$
- C) inc $(-\infty, -1.33)$, dec $(-1.33, \infty)$
- D) inc $(-\infty, -0.17)$, dec $(-0.17, \infty)$

Answer: D

103) $y = x^4 - 11x^2 + 24$

- A) dec $(-\infty, -2.83)$, $(-1.73, 1.73)$, $(2.83, \infty)$
inc $(-2.83, -1.73)$, $(1.73, 2.83)$
- B) dec $(-\infty, -2.35)$, $(2.35, \infty)$
inc $(-2.35, 2.35)$
- C) inc $(-\infty, -2.35)$, $(0, 2.35)$
dec $(-2.35, 0)$, $(2.35, \infty)$
- D) dec $(-\infty, -2.35)$, $(0, 2.35)$
inc $(-2.35, 0)$, $(2.35, \infty)$

Answer: D

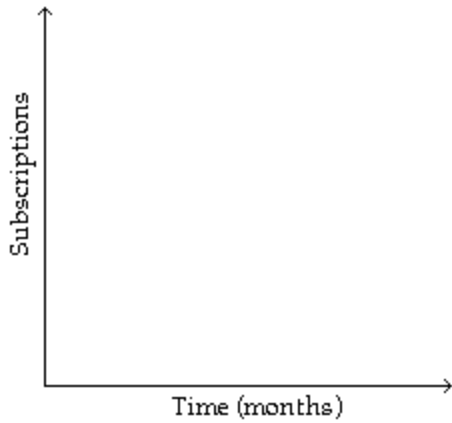
104) $y = |x + 2| + |x - 6| - 10$

- A) inc $(-\infty, -2)$, dec $(6, \infty)$
- B) inc $(6, \infty)$, dec $(-\infty, -2)$
- C) inc $(2, \infty)$, dec $(-\infty, 6)$
- D) inc $(10, \infty)$, dec $(-\infty, 2)$

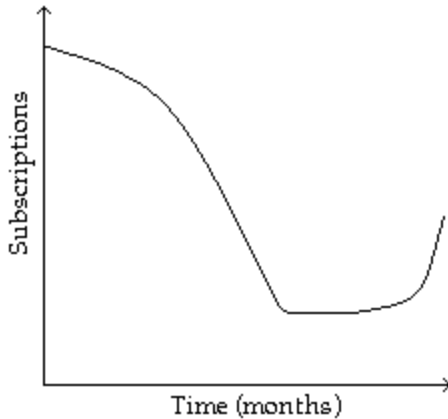
Answer: B

Sketch a graph to represent the situation described.

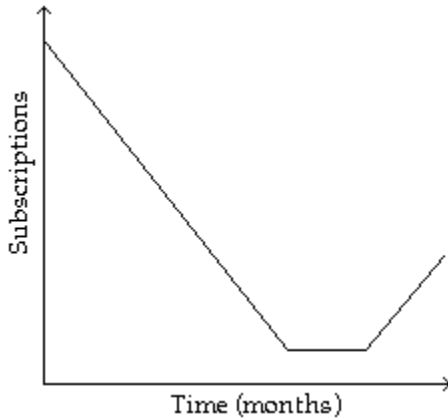
105) Subscriptions to a magazine fell rapidly during the first three months of the year 2000. During the next three months, subscriptions continued to fall but more and more slowly. After that, subscriptions were constant for two months, and then for the next two months subscriptions rose again, very slowly at first and then more quickly.

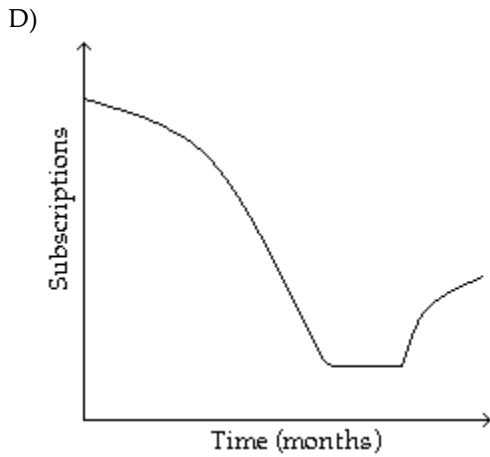
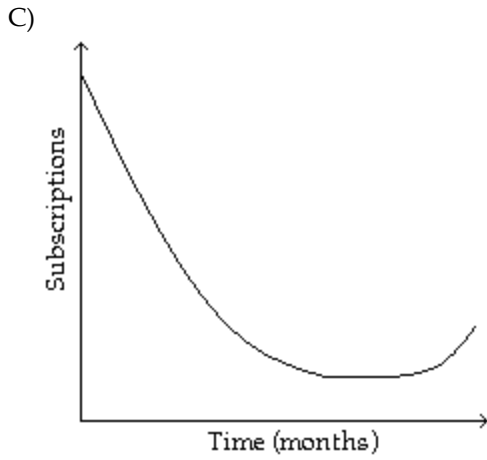


A)



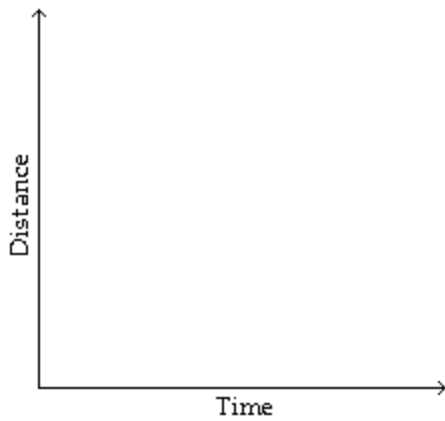
B)

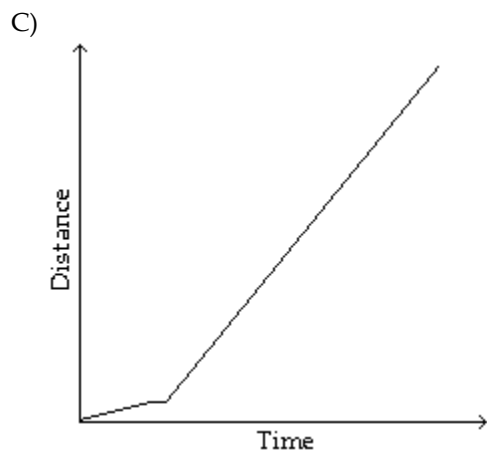
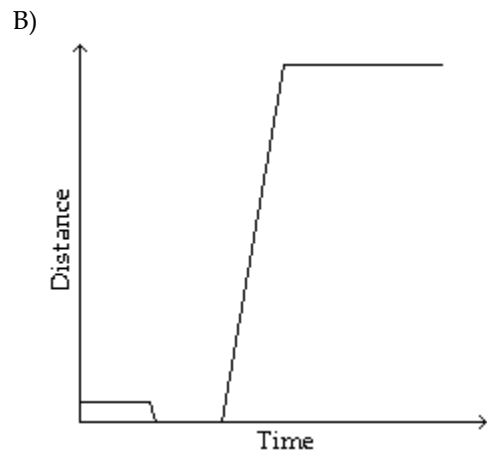
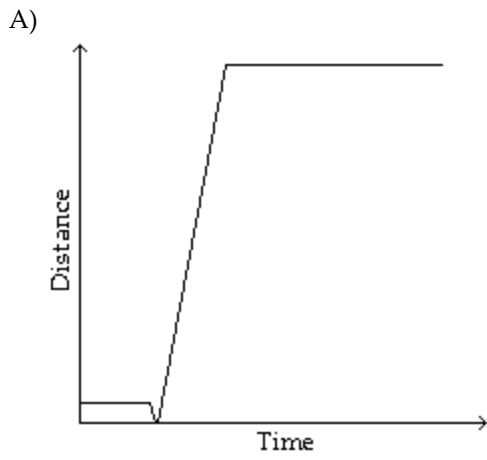


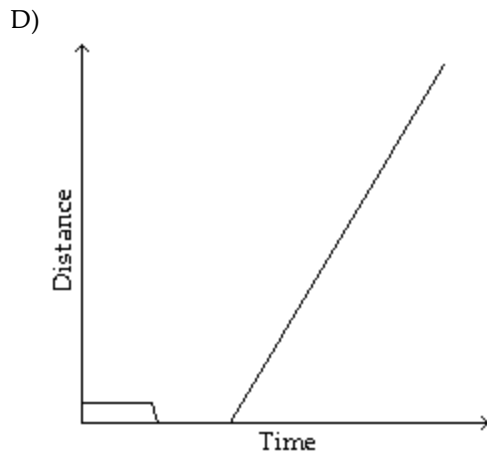


Answer: C

- 106) Janice jogged twice around a circular race track, which took her 4 minutes, then jogged to the center of the track and rested for 4 minutes before walking home slowly at a constant rate, which took her 12 minutes. Sketch a graph of her distance from the center of the race track as a function of time. Assume that the route she takes home is a straight line from the center of the race track.







Answer: D

Solve the problem.

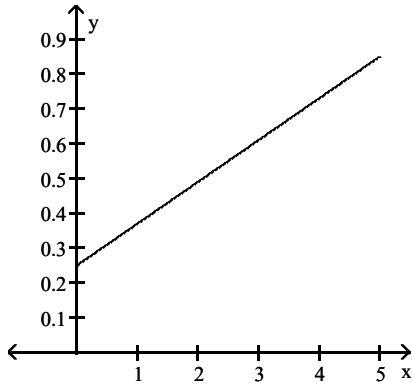
107) Employees of a publishing company received an increase in salary of 4% plus a bonus of \$900. Let $S(x)$ represent the new salary in terms of the previous salary x . Find the value of $S(15,000)$.

- A) \$21,900
- B) \$16,500
- C) \$15,900
- D) \$13,558

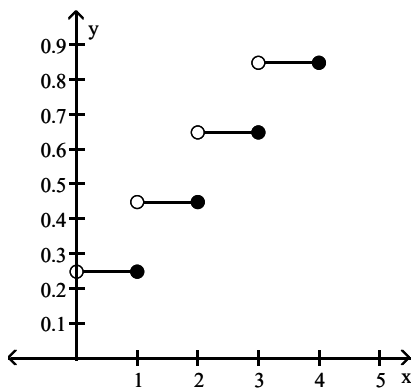
Answer: B

108) Assume it costs 25 cents to mail a letter weighing one ounce or less, and then 20 cents for each additional ounce or fraction of an ounce. Let $L(x)$ be the cost of mailing a letter weighing x ounces. Graph $y = L(x)$.

A)



B)



Answer: B

109) A video rental company charges \$5 for the first day, and \$4 for each additional day, for renting video tape. Use the greatest integer function and write an expression for renting a video tape for x days.

- A) $y = \lceil 4x + 5 \rceil$
- B) $y = 4\lceil x - 1 \rceil + 5$
- C) $y = 4x + 5$
- D) $y + 5 = 4\lceil x \rceil$

Answer: B

110) Suppose a car rental company charges \$134 for the first day and \$84 for each additional or partial day. Let $S(x)$ represent the cost of renting a car for x days. Find the value of $S(4.5)$.

- A) \$378
- B) \$512
- C) \$428
- D) \$470

Answer: D

- 111) Suppose a life insurance policy costs \$16 for the first unit of coverage and then \$4 for each additional unit of coverage. Let $C(x)$ be the cost for insurance of x units of coverage. What will 10 units of coverage cost?
- A) \$52
 - B) \$40
 - C) \$24
 - D) \$56

Answer: A

- 112) A salesperson gets a commission of \$1600 for the first \$10,000 of sales, and then \$800 for each additional \$10,000 or partial of sales. Let $S(x)$ represent the commission on x dollars of sales. Find the value of $S(45,000)$.
- A) \$4400
 - B) \$4800
 - C) \$5200
 - D) \$3600

Answer: B

- 113) The function $E(x) = 0.0048x^3 + 0.0047x^2 + 0.106x + 1.26$ gives the approximate total earnings of a company, in millions of dollars, where $x = 0$ corresponds to 1996, $x = 1$ corresponds to 1997, and so on. This model is valid for the years from 1996 to 2000. Determine the earnings for 1999. Round to the nearest hundredth when necessary.
- A) \$2.07 million
 - B) \$1.75 million
 - C) \$1.53 million
 - D) \$1.67 million

Answer: B

- 114) A rectangular box with volume 371 cubic feet is built with a square base and top. The cost is \$1.50 per square foot for the top and the bottom and \$2.00 per square foot for the sides. Let x represent the length of a side of the base. Express the cost of the box as a function of x . Give the function and state its domain.

A) $C(x) = 4x + \frac{2968}{x^2}$

Domain: $\{x \mid x > 0\}$

B) $C(x) = 3x^2 + \frac{1484}{x}$

Domain: $\{x \mid x > 4\}$

C) $C(x) = 3x^2 + \frac{2968}{x}$

Domain: $\{x \mid x > 0\}$

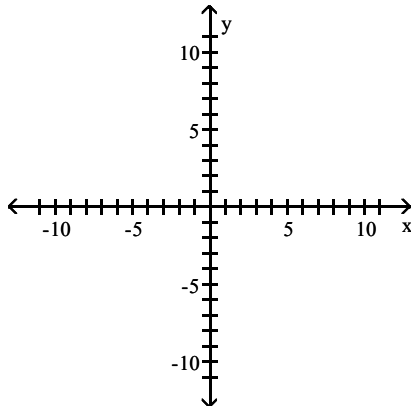
D) $C(x) = 2x^2 + \frac{2968}{x}$

Domain: $\{x \mid x < 10\}$

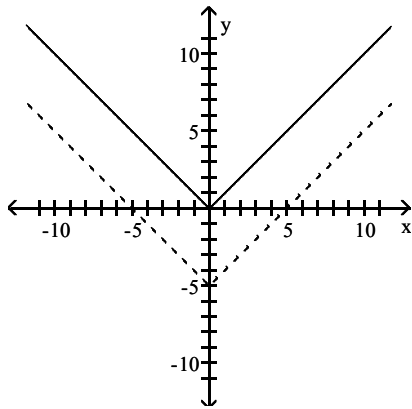
Answer: C

Graph the pair of functions on the same plane. Use a dashed line for $g(x)$.

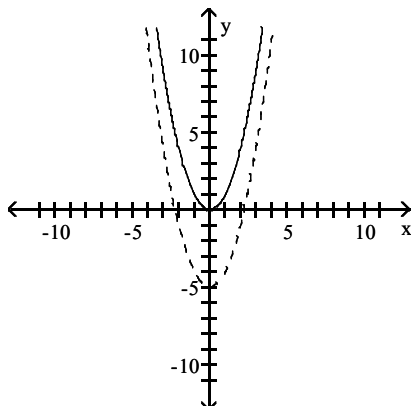
115) $f(x) = x^2$, $g(x) = x^2 - 5$



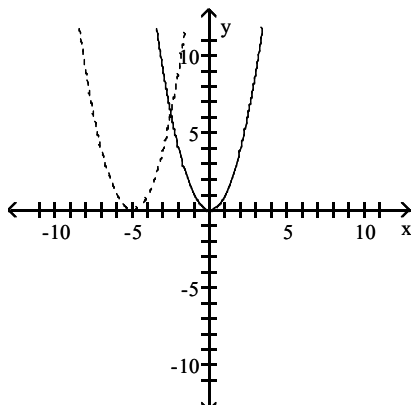
A)



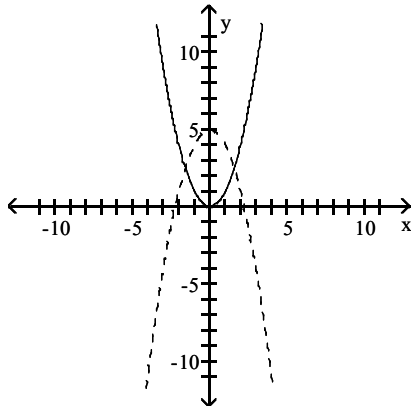
B)



C)

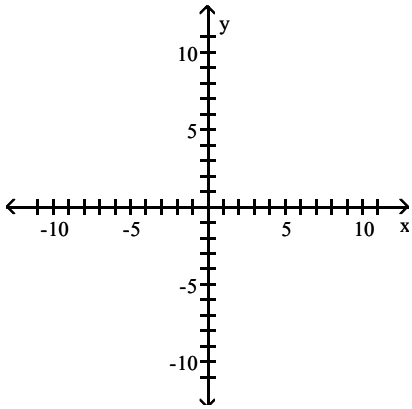


D)

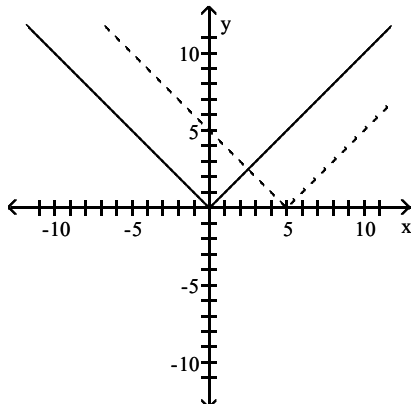


Answer: B

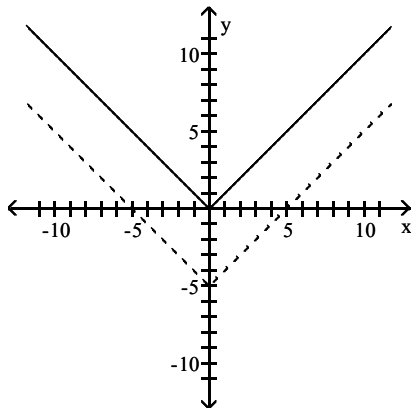
116) $f(x) = |x|$, $g(x) = |x - 5|$



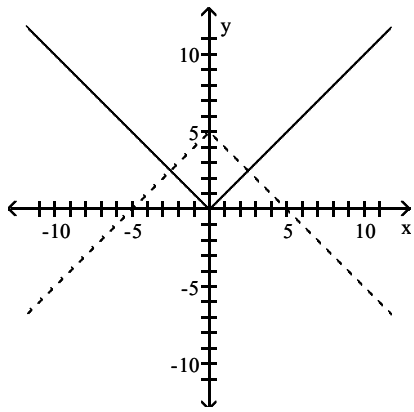
A)



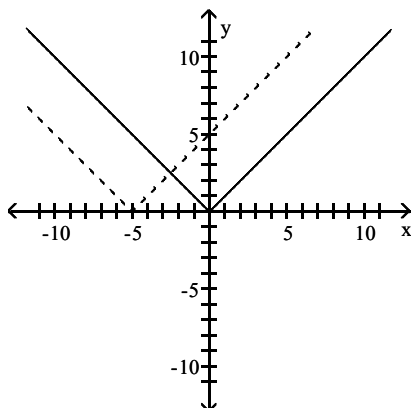
B)



C)

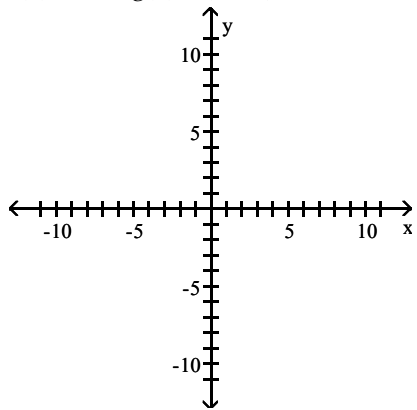


D)

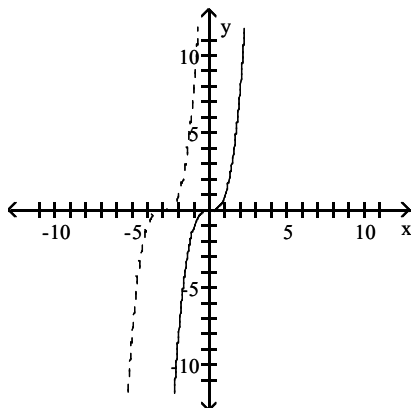


Answer: A

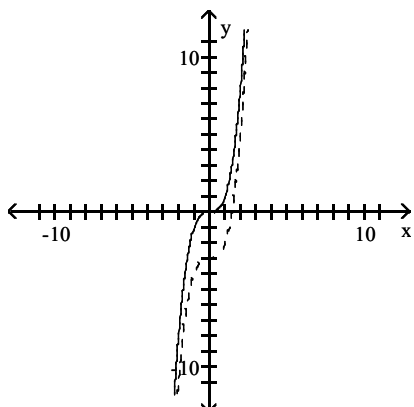
117) $f(x) = x^3$, $g(x) = (x + 3)^3$



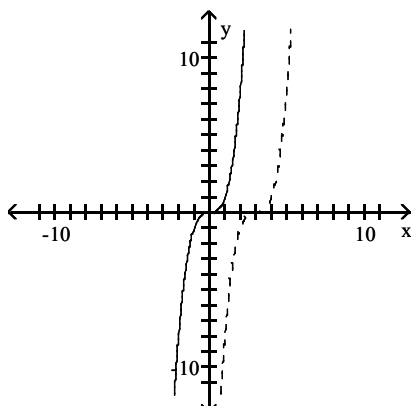
A)



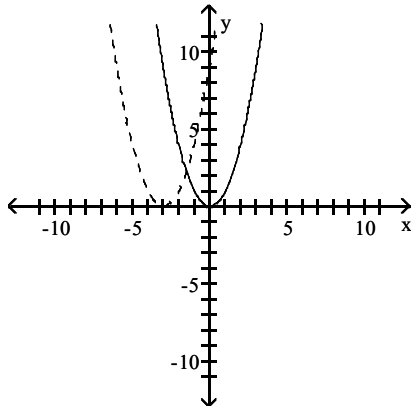
B)



C)

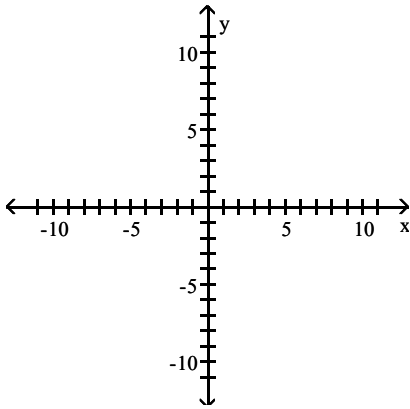


D)

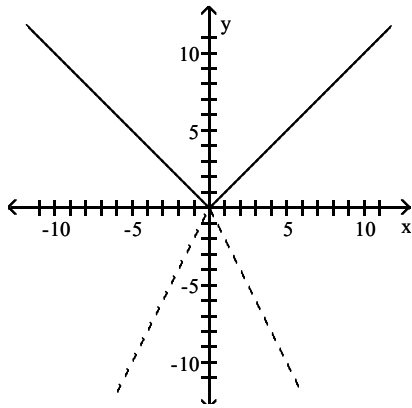


Answer: A

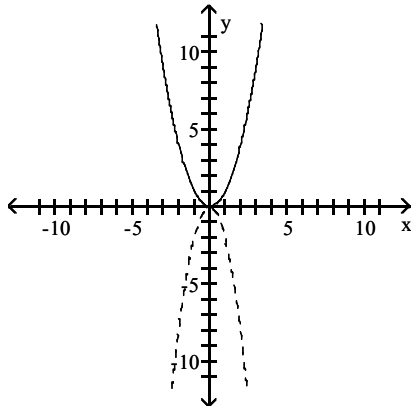
118) $f(x) = |x|$, $g(x) = -2|x|$



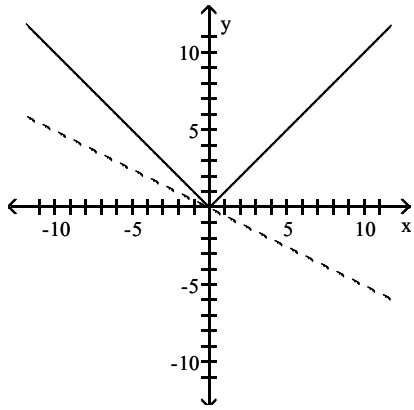
A)



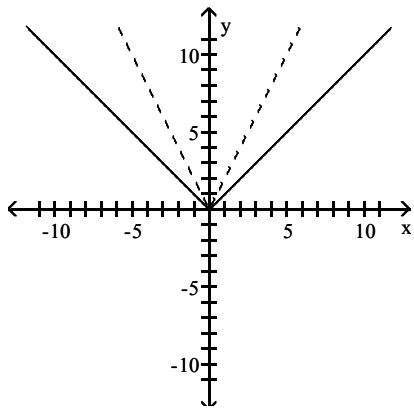
B)



C)

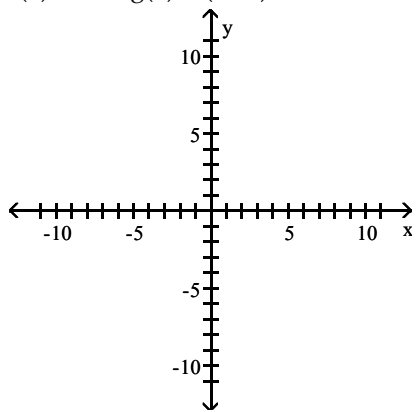


D)

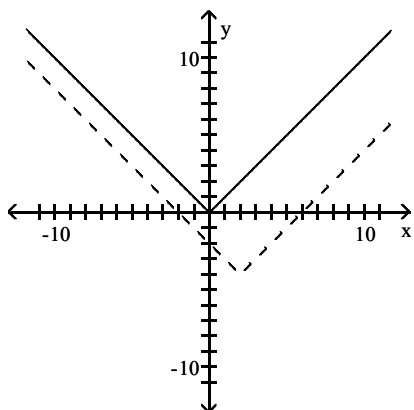


Answer: A

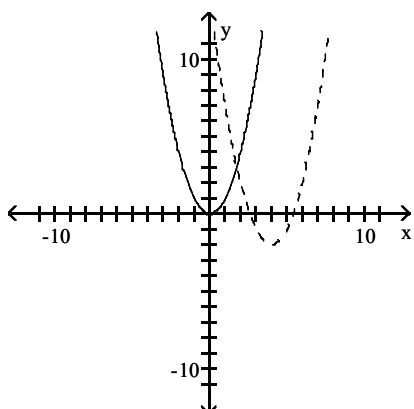
119) $f(x) = x^2$, $g(x) = (x-2)^2 - 4$



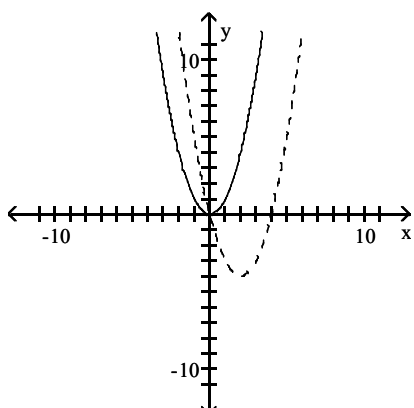
A)



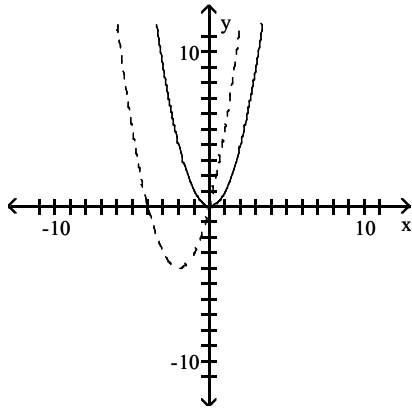
B)



C)

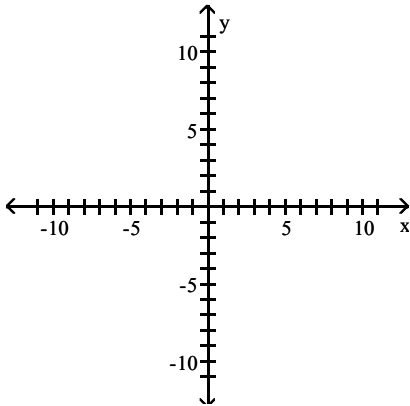


D)

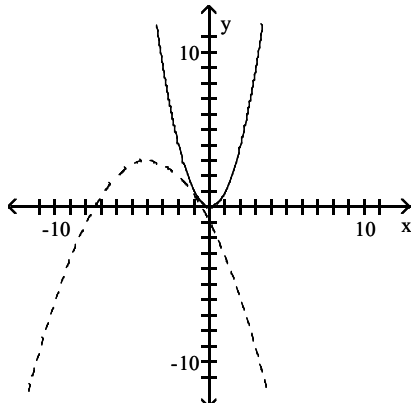


Answer: C

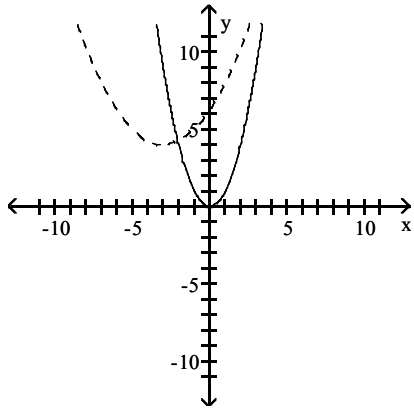
120) $f(x) = x^2$, $g(x) = -\frac{1}{4}(x+4)^2 + 3$



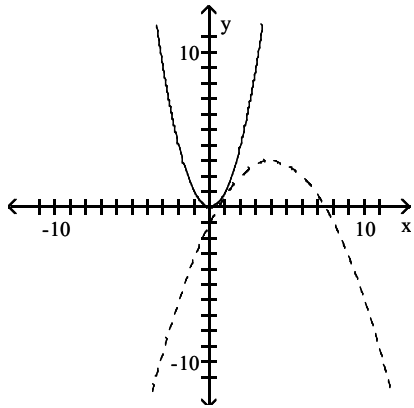
A)



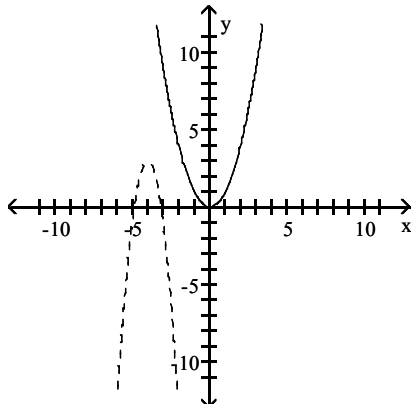
B)



C)

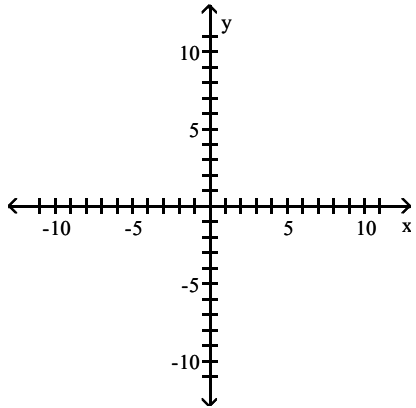


D)

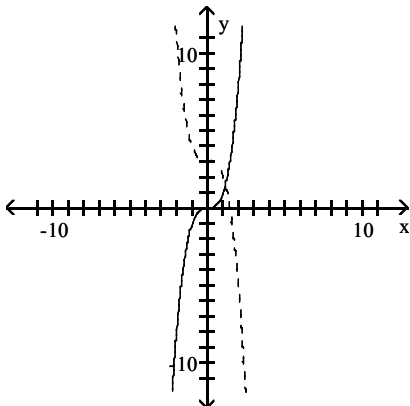


Answer: A

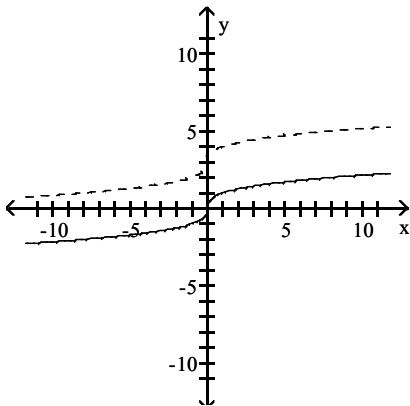
121) $f(x) = \sqrt[3]{x}$, $g(x) = \sqrt[3]{x} + 3$



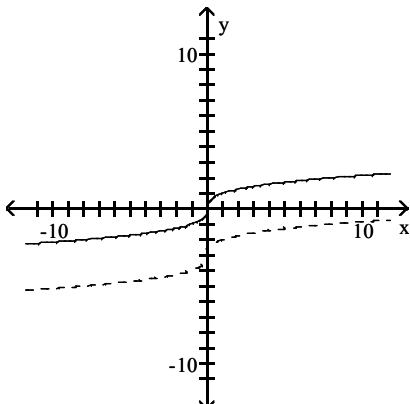
A)



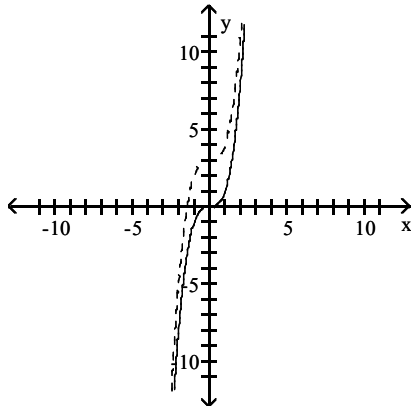
B)



C)

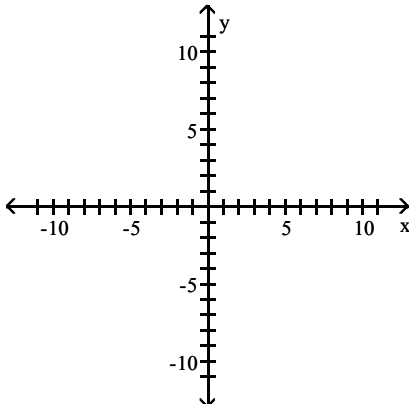


D)

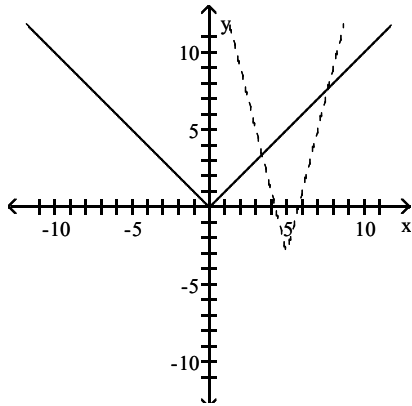


Answer: B

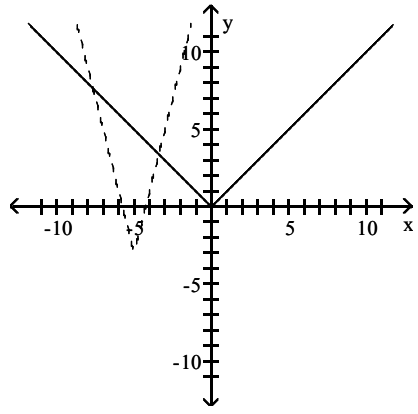
122) $f(x) = |x|$, $g(x) = \frac{1}{4}|x+5| - 3$



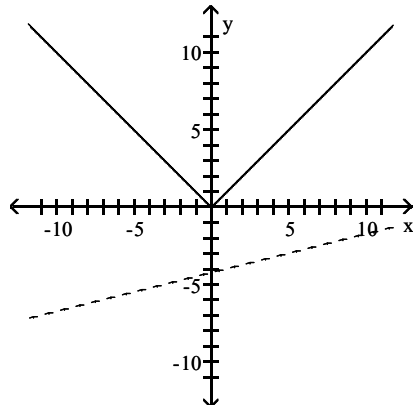
A)



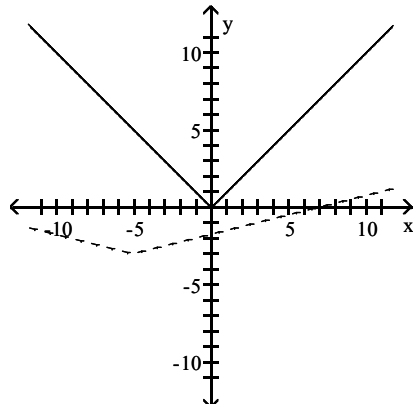
B)



C)

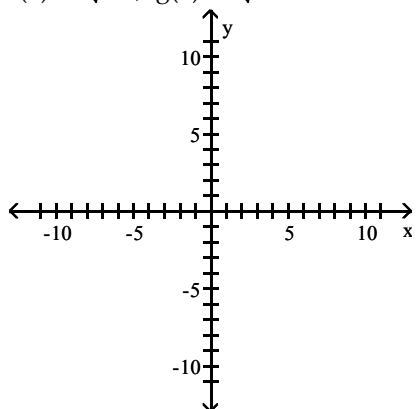


D)

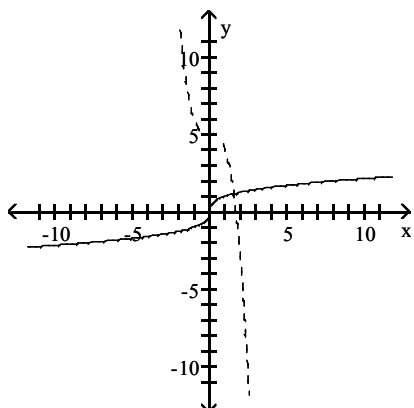


Answer: D

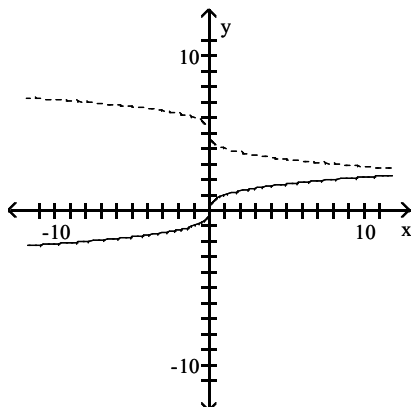
123) $f(x) = \sqrt[3]{x}$, $g(x) = \sqrt[3]{-x} + 5$



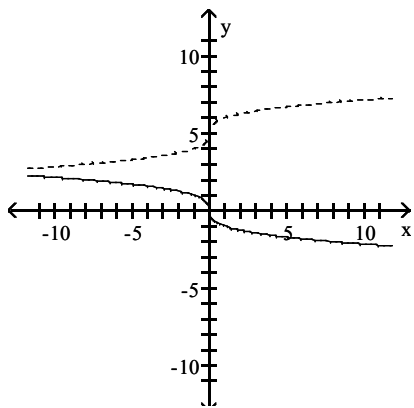
A)



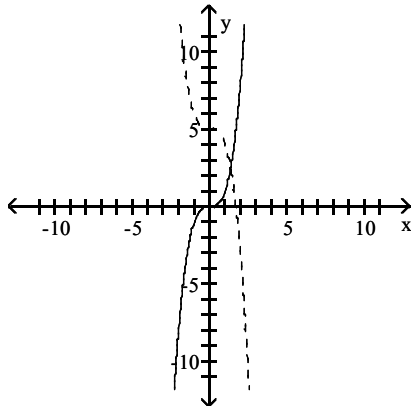
B)



C)



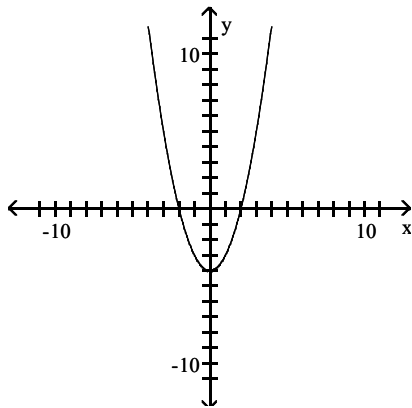
D)



Answer: B

Match the function with the graph.

124)



A) $y = (x + 4)^2$

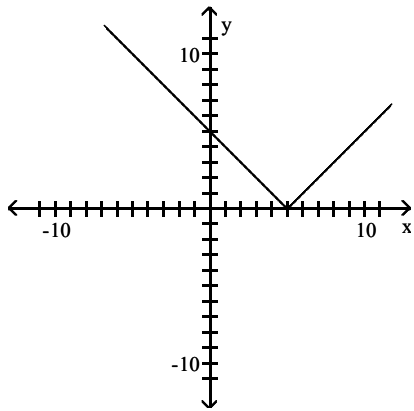
B) $y = (x - 4)^2 + 1$

C) $y = (x - 4)^2$

D) $y = x^2 - 4$

Answer: D

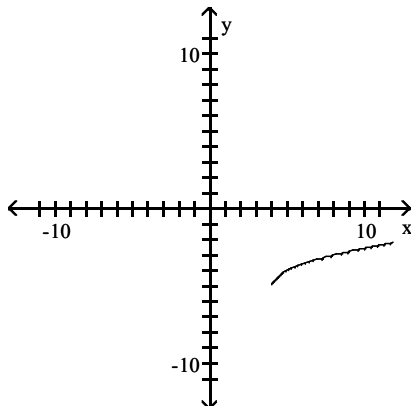
125)



- A) $y = |x - 5|$
- B) $y = |x + 5|$
- C) $y = |x - 5| + 1$
- D) $y = |x| - 5$

Answer: A

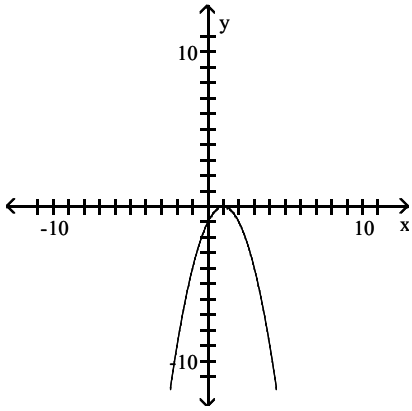
126)



- A) $y = \sqrt{x - 4} - 5$
- B) $y = \sqrt{x + 4}$
- C) $y = \sqrt{x - 5}$
- D) $y = \sqrt{x - 4}$

Answer: A

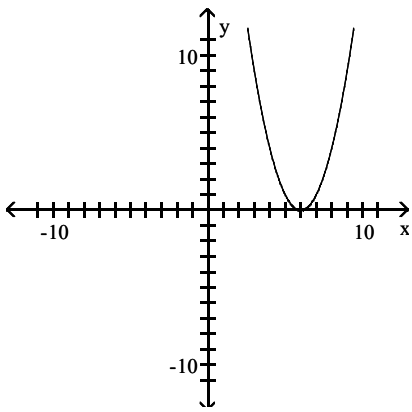
127)



- A) $g(x) = -x^2 - 1$
- B) $g(x) = (x + 1)^2$
- C) $g(x) = -(x - 1)^2$
- D) $g(x) = -x^2 + 1$

Answer: C

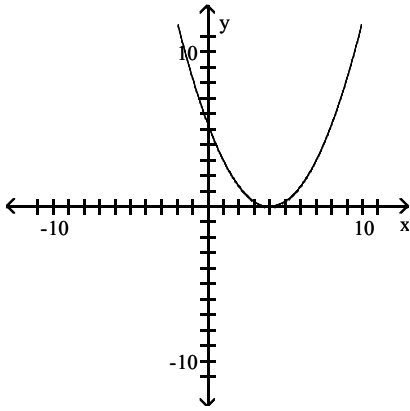
128)



- A) $g(x) = (-x - 6)^2$
- B) $g(x) = -x^2 + 6$
- C) $g(x) = (-x + 6)^2$
- D) $g(x) = -x^2 - 6$

Answer: C

129)



A) $g(x) = \frac{1}{3}x^2 + 4$

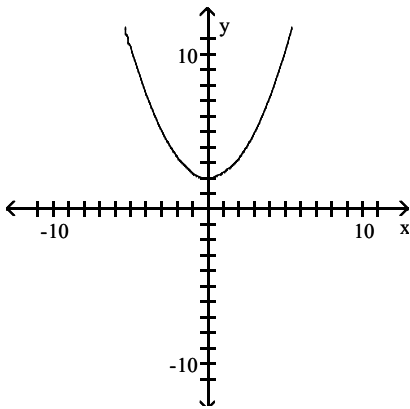
B) $g(x) = \frac{1}{3}(x - 4)^2$

C) $g(x) = (x + 4)^2$

D) $g(x) = \frac{1}{3}x^2 - 4$

Answer: B

130)



A) $g(x) = \frac{1}{3}(x^2 + 6)$

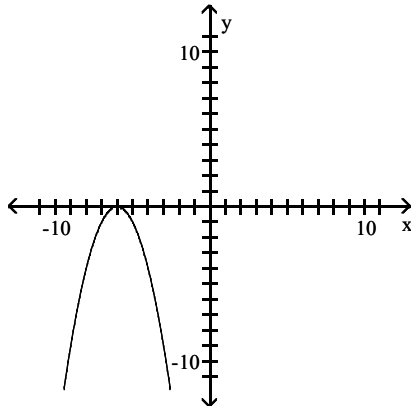
B) $g(x) = -x^2 - 6$

C) $g(x) = \frac{1}{3}(x + 6)^2$

D) $g(x) = \frac{1}{3}(x - 6)^2$

Answer: A

131)



A) $g(x) = -(x + 6)^2$

B) $g(x) = -x^2$

C) $g(x) = -x^2 + 6$

D) $g(x) = -x^2 - 6$

Answer: A

Write the equation of the graph after the indicated transformation(s).

132) The graph of $y = \sqrt{x}$ is translated 5 units to the right.

A) $y = \sqrt{x + 5}$

B) $y = \sqrt{x - 5}$

C) $y = \sqrt{x - 5}$

D) $y = \sqrt{x + 5}$

Answer: C

133) The graph of $y = x^2$ is translated 7 units to the left and 4 units downward.

A) $y = (x - 4)^2 + 7$

B) $y = (x - 7)^2 - 4$

C) $y = (x + 4)^2 - 7$

D) $y = (x + 7)^2 - 4$

Answer: D

134) The graph of $y = x^2$ is vertically stretched by a factor of 5, and the resulting graph is reflected across the x-axis.

A) $y = 5x^2$

B) $y = 5(x - 5)x^2$

C) $y = -5x^2$

D) $y = (x - 5)^2$

Answer: C

135) The graph of $y = x^3$ is shifted 6.7 units to the right and then vertically shrunk by a factor of 0.9.

A) $y = 0.9(x + 6.7)^3$

B) $y = 6.7(x - 0.9)^3$

C) $y = 0.9(x - 6.7)^3$

D) $y = 0.9x^3 + 6.7$

Answer: C

- 136) The graph of $y = |x|$ is vertically stretched by a factor of 4.4. This graph is then reflected across the x-axis. Finally, the graph is shifted 0.85 units downward.
- A) $y = 4.4|-x| - 0.85$
 - B) $y = 4.4|x| - 0.85$
 - C) $y = 4.4|x - 0.85|$
 - D) $y = -4.4|x| - 0.85$

Answer: D

- 137) The graph of $y = \sqrt{x}$ is shifted 7 units to the left. Then the graph is shifted 10 units upward.
- A) $y = \sqrt{x - 7} + 10$
 - B) $y = \sqrt{x + 10} + 7$
 - C) $y = \sqrt{x + 7} + 10$
 - D) $y = 10\sqrt{x + 7}$

Answer: C

- 138) The graph of $y = \sqrt[3]{x}$ is shifted 7.2 units to the left. This graph is then vertically stretched by a factor of 3.6. Finally, the graph is reflected across the x-axis.
- A) $y = -7.2\sqrt[3]{x + 3.6}$
 - B) $y = -3.6\sqrt[3]{x + 7.2}$
 - C) $y = -3.6\sqrt[3]{x - 7.2}$
 - D) $y = 3.6\sqrt[3]{x + 7.2}$

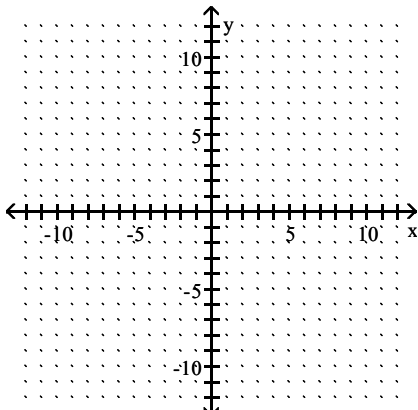
Answer: B

- 139) The graph of $y = |x|$ is reflected across the y-axis. This graph is then vertically stretched by a factor of 1.1. Finally, the graph is shifted 10 units downward.
- A) $y = 1.1|-x| - 10$
 - B) $y = 1.1|-x| + 10$
 - C) $y = 10|-x| - 1.1$
 - D) $y = -1.1|x| - 10$

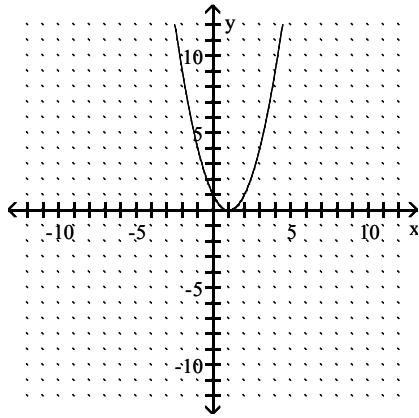
Answer: A

Use transformations to graph the function and state the domain and range.

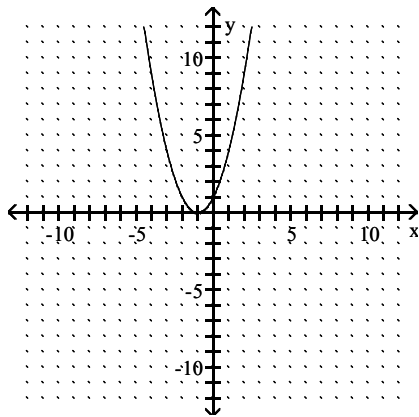
140) $y = x^2 - 1$



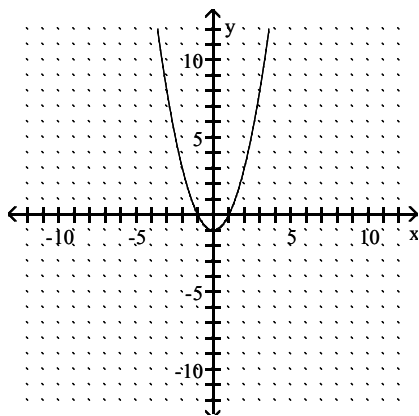
A) $D = (-\infty, \infty)$, $R = [0, \infty)$



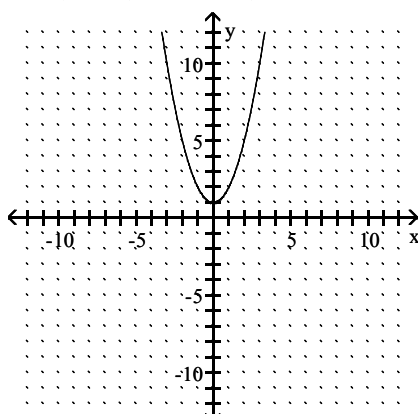
B) $D = (-\infty, \infty)$, $R = [0, \infty)$



C) $D = (-\infty, \infty)$, $R = [-1, \infty)$

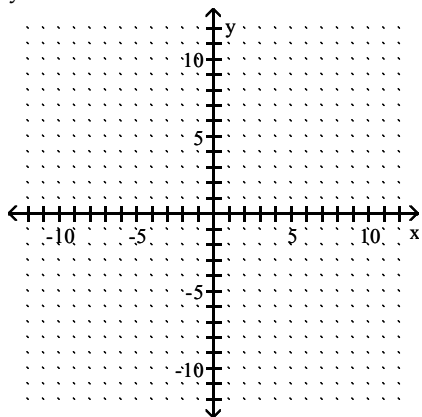


D) $D = (-\infty, \infty)$, $R = [1, \infty)$

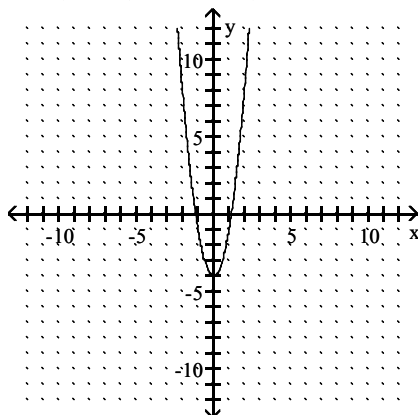


Answer: C

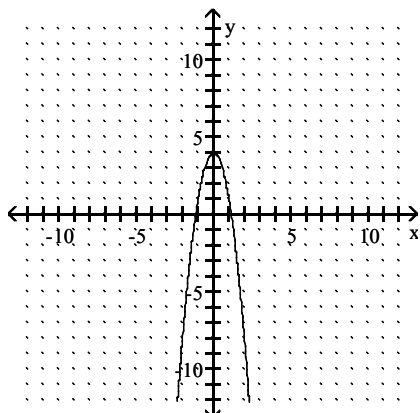
141) $y = 3x^2 - 4$



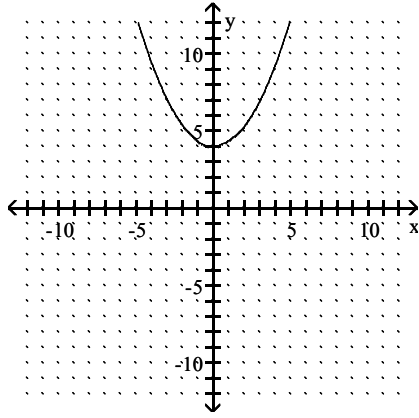
A) $D = (-\infty, \infty), R = [-4, \infty)$



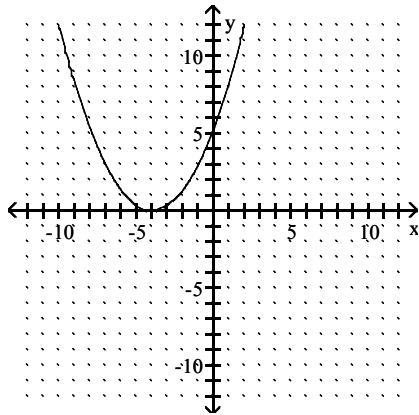
B) $D = (-\infty, \infty), R = (-\infty, 4]$



C) $D = (-\infty, \infty)$, $R = [4, \infty)$

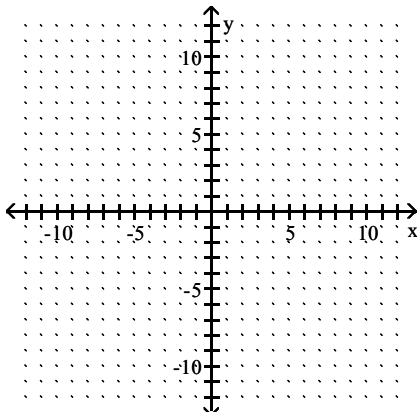


D) $D = (-\infty, \infty)$, $R = [0, \infty)$

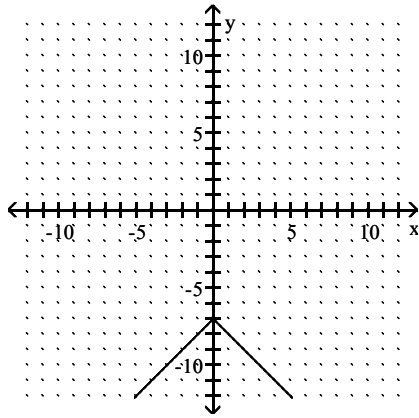


Answer: A

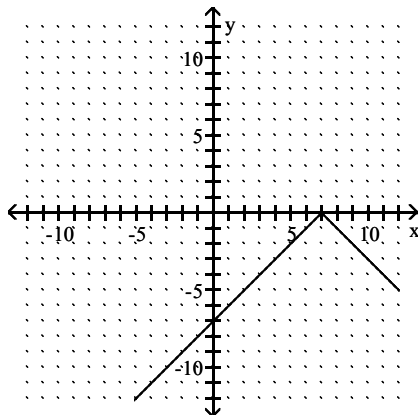
142) $y = |7 - x|$



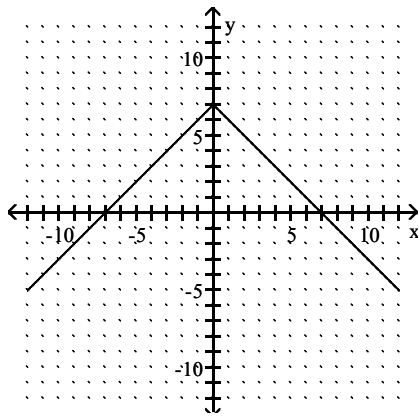
A) $D = (-\infty, \infty)$, $R = (-\infty, -7]$



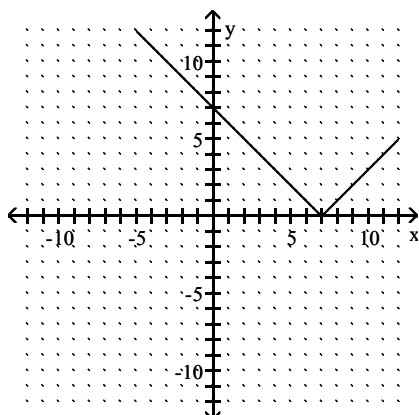
B) $D = (-\infty, \infty)$, $R = (-\infty, 0)$



C) $D = (-\infty, \infty)$, $R = (-\infty, 7]$

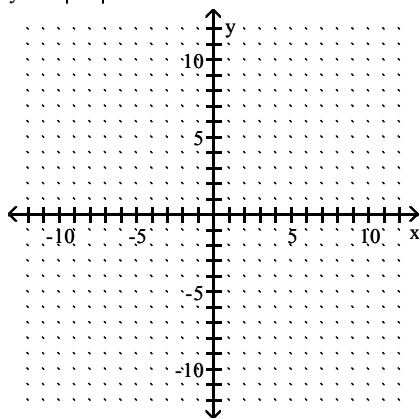


D) $D = (-\infty, \infty)$, $R = [0, \infty)$

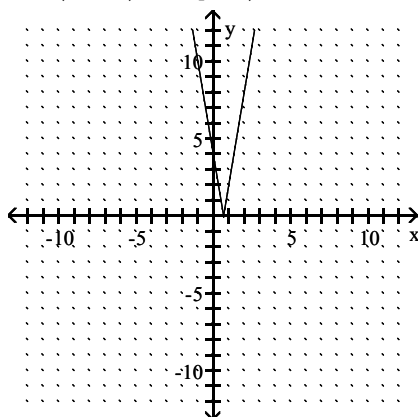


Answer: D

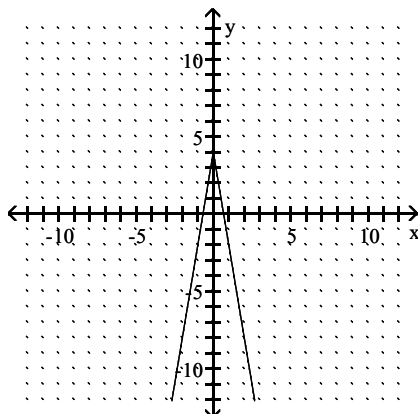
143) $y = 6|x| - 4$



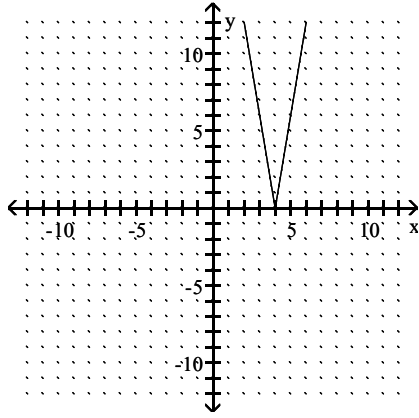
A) $D = (-\infty, \infty), R = [0, \infty)$



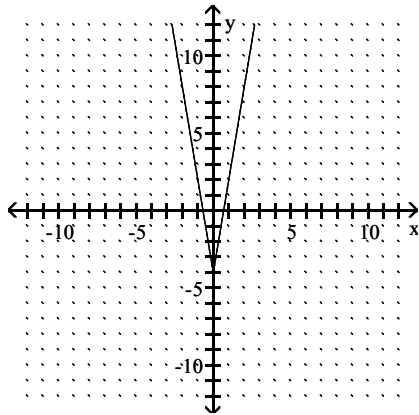
B) $D = (-\infty, \infty), R = (-\infty, 4]$



C) $D = (-\infty, \infty), R = [0, \infty)$

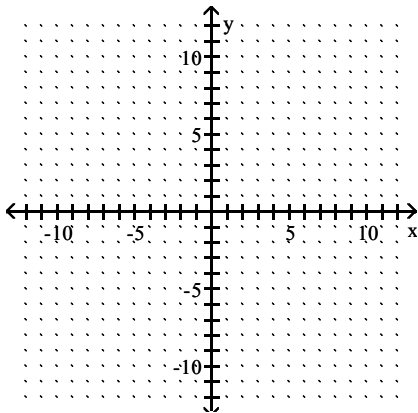


D) $D = (-\infty, \infty), R = [-4, \infty)$

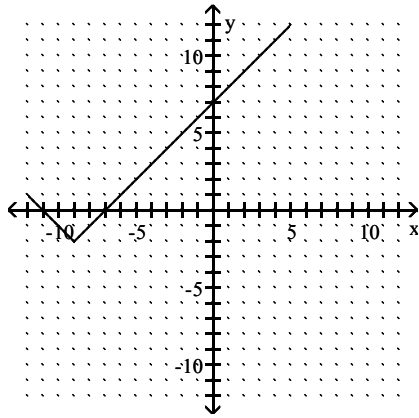


Answer: D

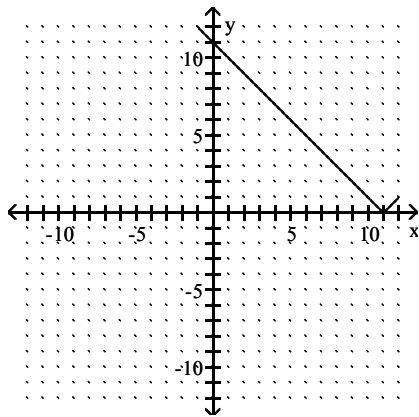
144) $y = |x - 9| - 2$



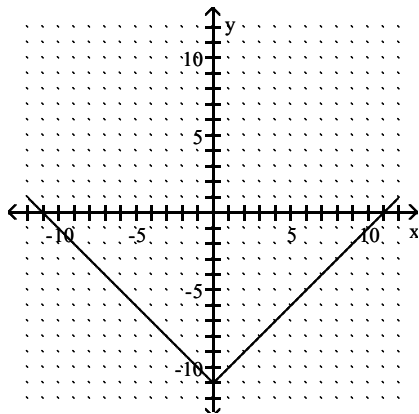
A) $D = (-\infty, \infty)$, $R = [-2, \infty)$



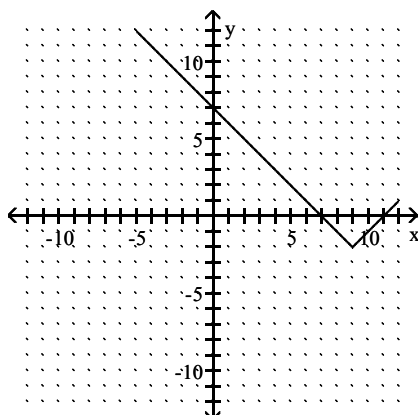
B) $D = (-\infty, \infty)$, $R = [0, \infty)$



C) $D = (-\infty, \infty)$, $R = (-\infty, \infty)$

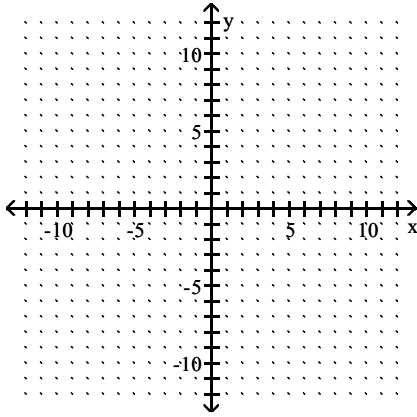


D) $D = (-\infty, \infty)$, $R = [-2, \infty)$

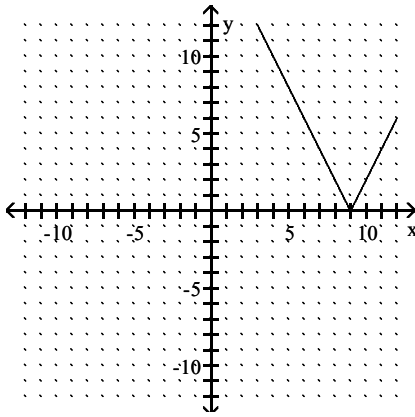


Answer: D

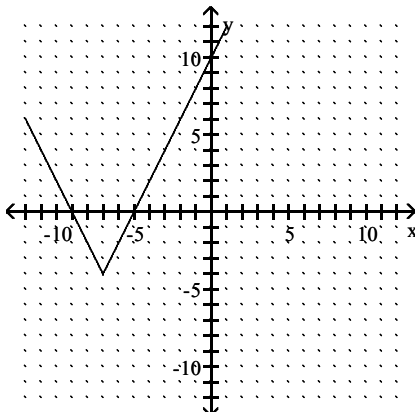
145) $y = 2|x - 7| - 4$



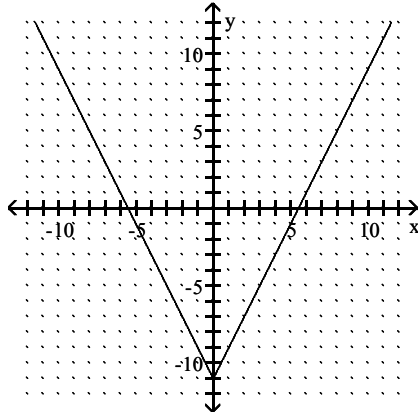
A) $D = (-\infty, \infty), R = (0, \infty)$



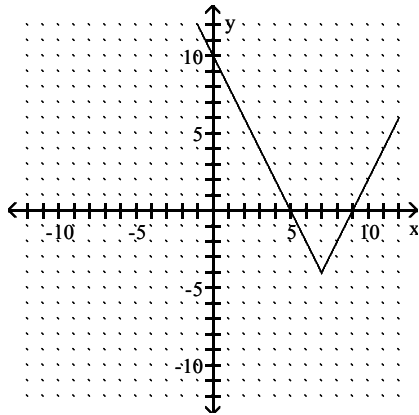
B) $D = (-\infty, \infty), R = (-\infty, \infty)$



C) $D = (-\infty, \infty), R = (-\infty, \infty)$

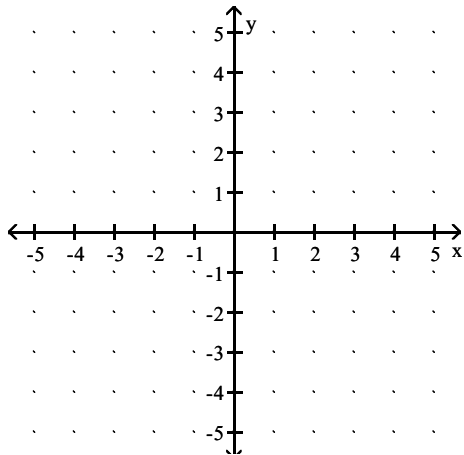


D) $D = (-\infty, \infty), R = [-4, \infty)$

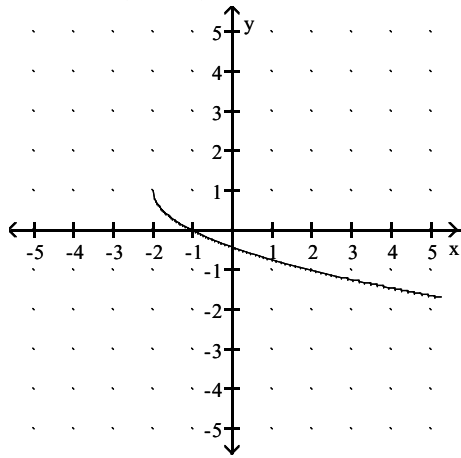


Answer: D

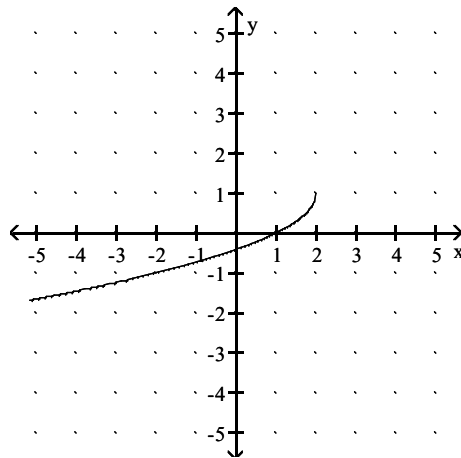
146) $y = -\sqrt{x+2} + 1$



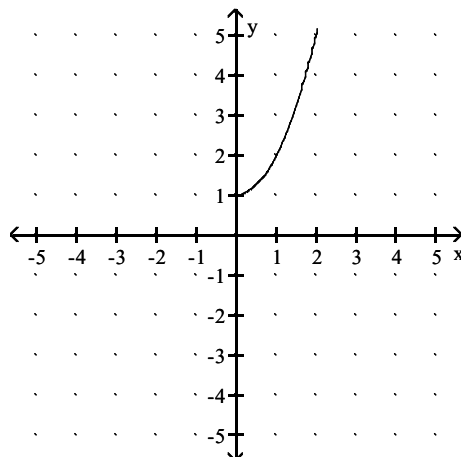
A) $D = [-2, \infty)$, $R = (-\infty, 1]$



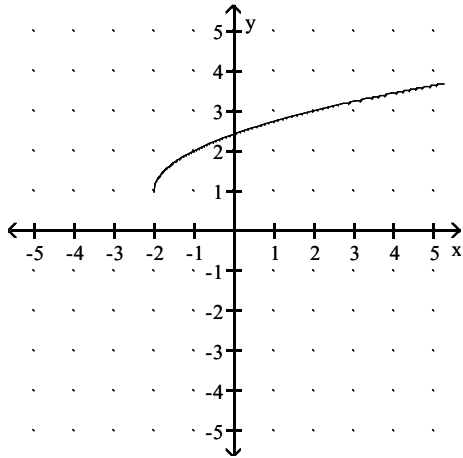
B) $D = (-\infty, 2]$, $R = (-\infty, 1]$



C) $D = [0, \infty)$, $R = [1, \infty)$



D) $D = [-2, \infty)$, $R = [1, \infty)$



Answer: A

List the symmetries of the given function, if there are any. Otherwise, state "No symmetry".

147) $f(x) = 4x^2 + 2$

- A) y-axis
- B) Origin
- C) x-axis
- D) No symmetry

Answer: A

148) $f(x) = |3x| + 2$

- A) Origin
- B) y-axis
- C) x-axis
- D) No symmetry

Answer: B

149) $f(x) = -3x^3$

- A) y-axis
- B) Origin
- C) x-axis
- D) No symmetry

Answer: B

150) $f(x) = 4x^2 - 3$

- A) x-axis
- B) y-axis
- C) x-axis, y-axis
- D) Origin

Answer: B

151) $f(x) = -5x^3 + 3x$

- A) x-axis
- B) x-axis, origin
- C) Origin
- D) x-axis, y-axis

Answer: C

152) $f(x) = 6x^5 - 2x^3$

- A) y-axis
- B) Origin
- C) x-axis, y-axis, origin
- D) No symmetry

Answer: B

153) $f(x) = -0.13x^2 + |x| + 4$

- A) Origin
- B) y-axis
- C) x-axis
- D) No symmetry

Answer: B

154) $f(x) = -5x^4 + 4x - 4$

- A) Origin
- B) x-axis, origin
- C) x-axis
- D) No symmetry

Answer: D

155) $f(x) = |x + 8|$

- A) y-axis
- B) $x = -8$, origin
- C) $x = -8$
- D) $x = 8$

Answer: C

156) $f(x) = x + \frac{1}{x^6}$

- A) y-axis
- B) y-axis, origin
- C) Origin
- D) No symmetry

Answer: D

Determine whether the function is even, odd, or neither.

157) $f(x) = 4x^2 + 1$

- A) Neither
- B) Odd
- C) Even

Answer: C

158) $f(x) = (x + 8)(x + 4)$

- A) Odd
- B) Neither
- C) Even

Answer: B

159) $f(x) = -7x^3 + 3x$

- A) Neither
- B) Even
- C) Odd

Answer: C

160) $f(x) = 4x^5 + 6x^3$

- A) Neither
- B) Odd
- C) Even

Answer: B

161) $f(x) = -0.51x^2 + |x| - 3$

- A) Neither
- B) Even
- C) Odd

Answer: B

162) $f(x) = 5x^4 - 7x - 6$

- A) Even
- B) Neither
- C) Odd

Answer: B

163) $f(x) = |x^2 + x|$

- A) Odd
- B) Neither
- C) Even

Answer: B

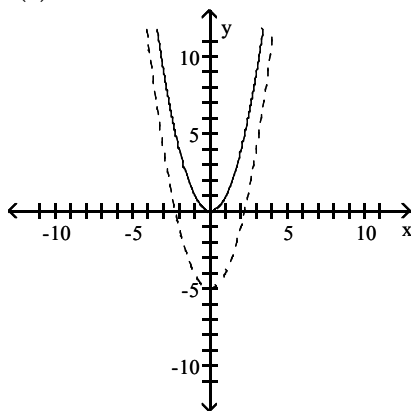
164) $f(x) = x^3 - \frac{1}{x}$

- A) Neither
- B) Odd
- C) Even

Answer: B

The graph of the given function is drawn with a solid line. The graph of a function, $g(x)$, transformed from this one is drawn with a dashed line. Find a formula for $g(x)$.

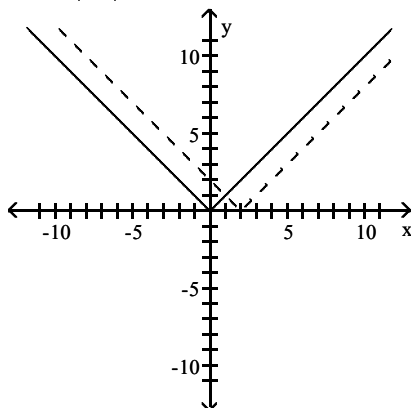
165) $f(x) = x^2$



- A) $g(x) = 5x^2$
- B) $g(x) = (x - 5)^2$
- C) $g(x) = x^2 - 5$
- D) $g(x) = x^2 + 5$

Answer: C

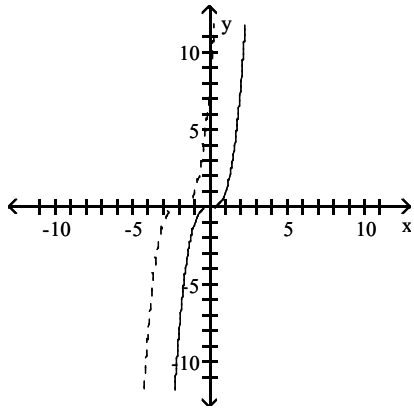
166) $f(x) = |x|$



- A) $g(x) = 2x^3$
- B) $g(x) = |x| - 2$
- C) $g(x) = |x + 2|$
- D) $g(x) = |x - 2|$

Answer: D

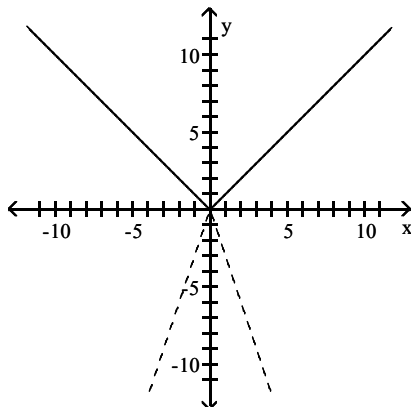
167) $f(x) = x^3$



- A) $g(x) = (x + 2)^3$
- B) $g(x) = (x - 2)^3$
- C) $g(x) = 2x^3$
- D) $g(x) = x^3 + 2$

Answer: A

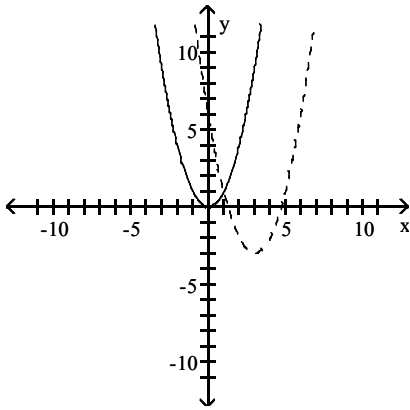
168) $f(x) = |x|$



- A) $g(x) = |x - 3|$
- B) $g(x) = -3|x|$
- C) $g(x) = |x + 3|$
- D) $g(x) = |x| - 3$

Answer: B

169) $f(x) = x^2$



A) $g(x) = -2(x - 3)^2$

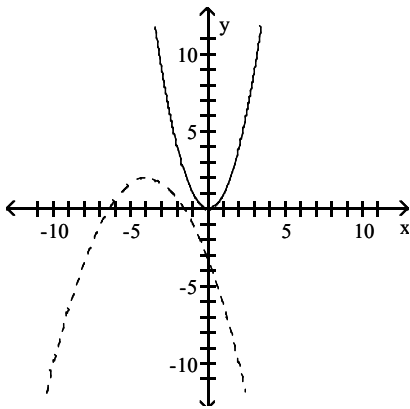
B) $g(x) = (x - 2)^2 - 3$

C) $g(x) = (x - 3)^2 - 3$

D) $g(x) = 2(x + 3)^2$

Answer: C

170) $f(x) = x^2$



A) $g(x) = \frac{1}{3}(x - 4)^2 - 2$

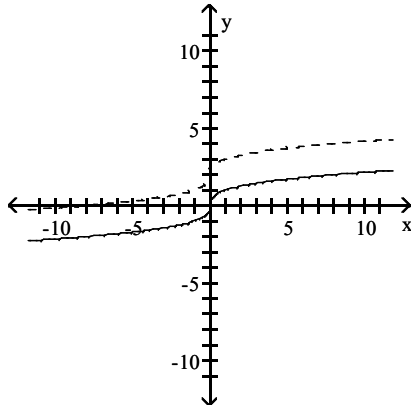
B) $g(x) = -\frac{1}{3}(x + 4)^2$

C) $g(x) = (x + 4)^2 + 2$

D) $g(x) = -\frac{1}{3}(x + 4)^2 + 2$

Answer: D

171) $f(x) = \sqrt[3]{x}$



A) $g(x) = 2\sqrt[3]{x}$

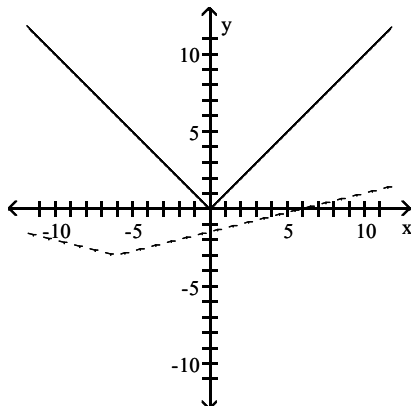
B) $g(x) = \sqrt[3]{x+2}$

C) $g(x) = \sqrt[3]{x} + 2$

D) $g(x) = \sqrt[3]{x-2}$

Answer: C

172) $f(x) = |x|$



A) $g(x) = 0.25|x+6| - 3$

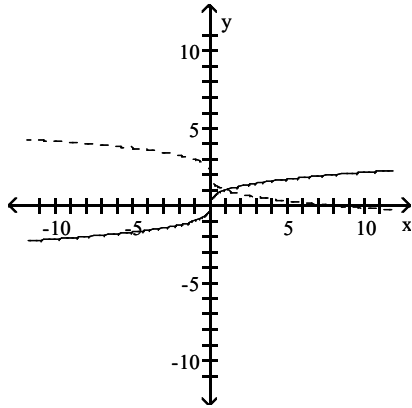
B) $g(x) = 3|x+6| - 0.25$

C) $g(x) = 3|x-6| + 0.25$

D) $g(x) = 0.25|x-6| + 3$

Answer: A

173) $f(x) = \sqrt[3]{x}$

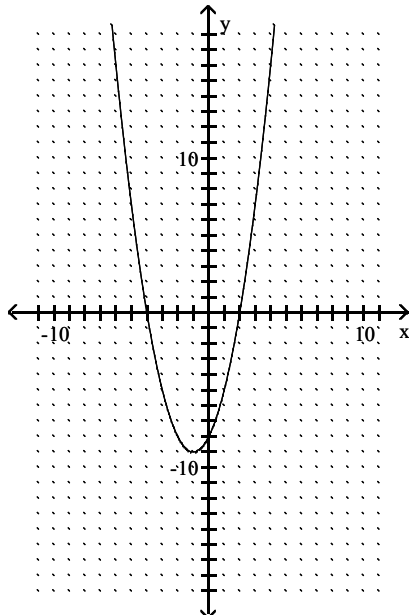


- A) $g(x) = \sqrt[3]{x - 2}$
- B) $g(x) = \sqrt[3]{x}$
- C) $g(x) = \sqrt[3]{-x} + 2$
- D) $g(x) = 2\sqrt[3]{-x}$

Answer: C

Solve the inequality by reading the given graph. State the solution set using interval notation.

174) $x^2 + 4x < 2x + 8$ A related function is graphed below.

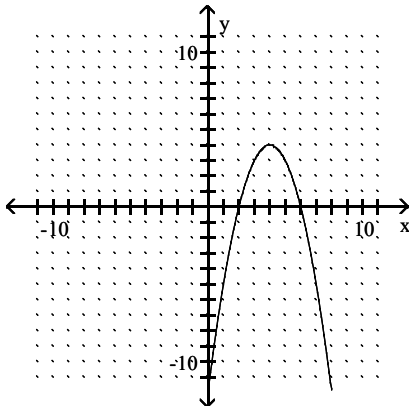


x-intercepts: $(-4, 0), (2, 0)$

- A) $(2, 4)$
- B) $(-\infty, -4) \cup (2, \infty)$
- C) $(-4, 2)$
- D) $[-4, 2]$

Answer: C

175) $-x^2 + 2x \leq -6x + 12$ A related function is graphed below.

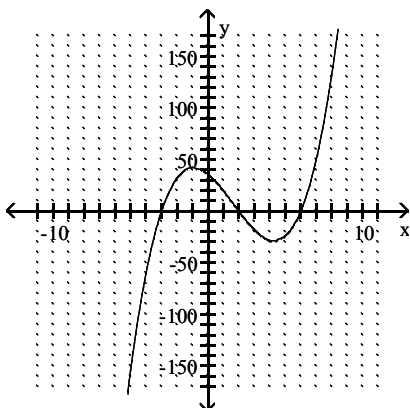


x-intercepts: (2, 0), (6, 0)

- A) $(-\infty, 2] \cup [6, \infty)$
- B) $[2, 6]$
- C) $(-\infty, -2) \cup (6, \infty)$
- D) $(2, 6) \cup (6, \infty)$

Answer: A

176) $x^3 - 5x^2 \leq 12x - 36$ A related function is graphed below.

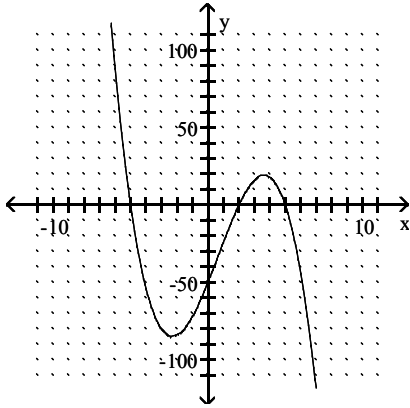


x-intercepts: (-3, 0), (2, 0), (6, 0)

- A) $(-\infty, -3) \cup (2, 6)$
- B) $(-\infty, -3) \cup (2, \infty)$
- C) $(-\infty, -3] \cup [2, 6]$
- D) $(-\infty, -3] \cup [2, \infty)$

Answer: C

177) $-x^3 + 2x^2 + 25x - 50 < 0$ A related function is graphed below.



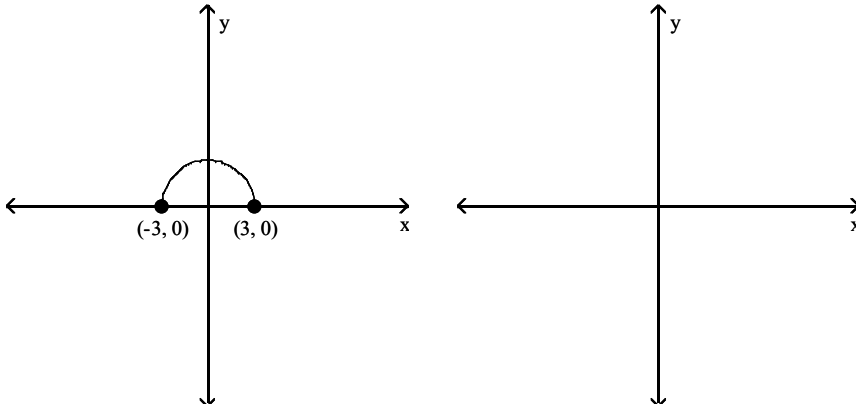
x-intercepts: $(-5, 0), (2, 0), (5, 0)$

- A) $[-5, 2] \cup [5, \infty)$
- B) $(5, \infty)$
- C) $(-\infty, -5) \cup (2, 5)$
- D) $(-5, 2) \cup (5, \infty)$

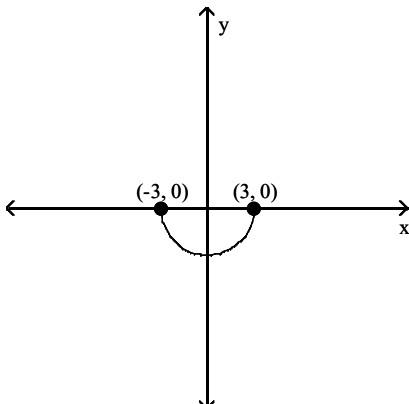
Answer: D

Graph the following function by transforming the given graph of $y = f(x)$.

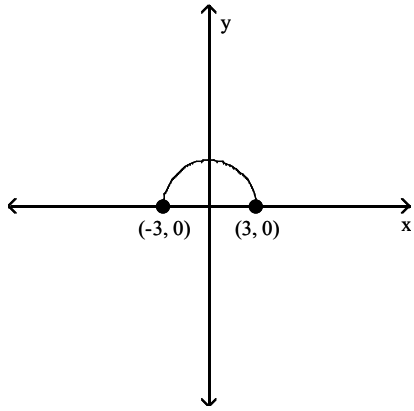
178) Sketch the graph of $y = f(-x)$.



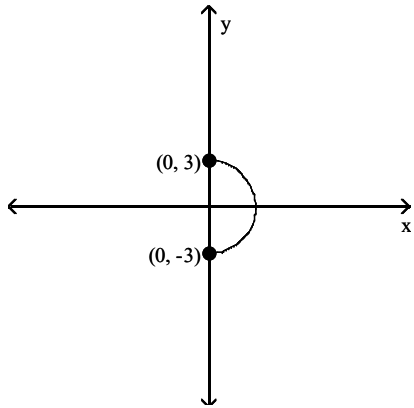
A)



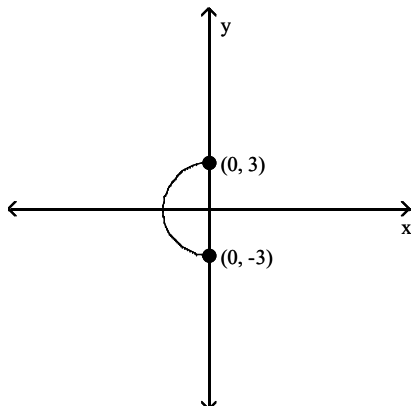
B)



C)

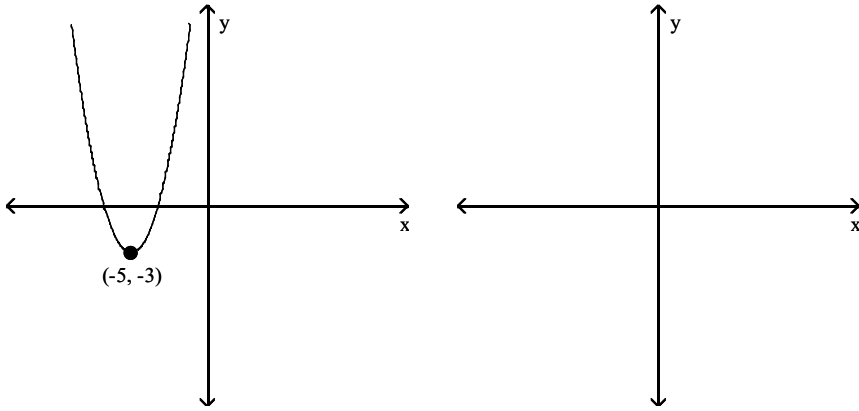


D)

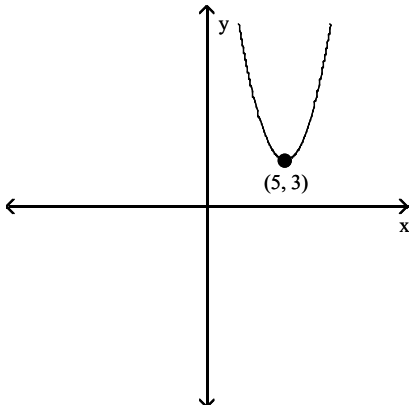


Answer: B

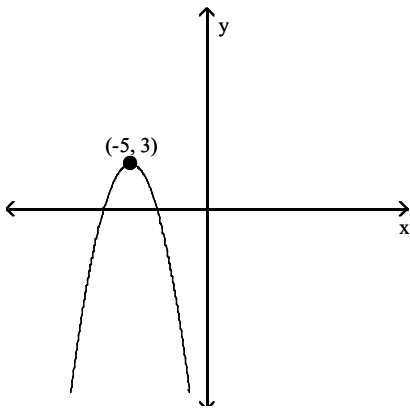
179) Sketch the graph of $y = -f(x)$.



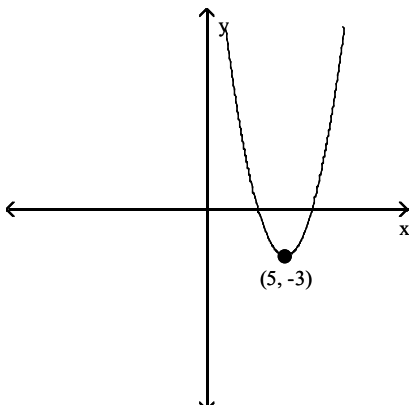
A)



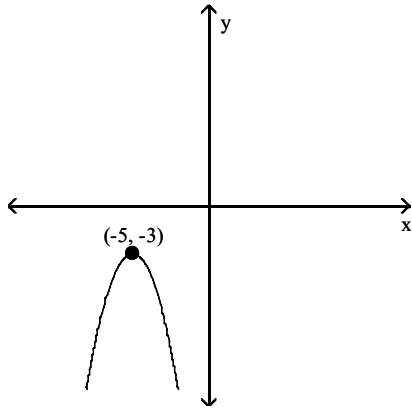
B)



C)

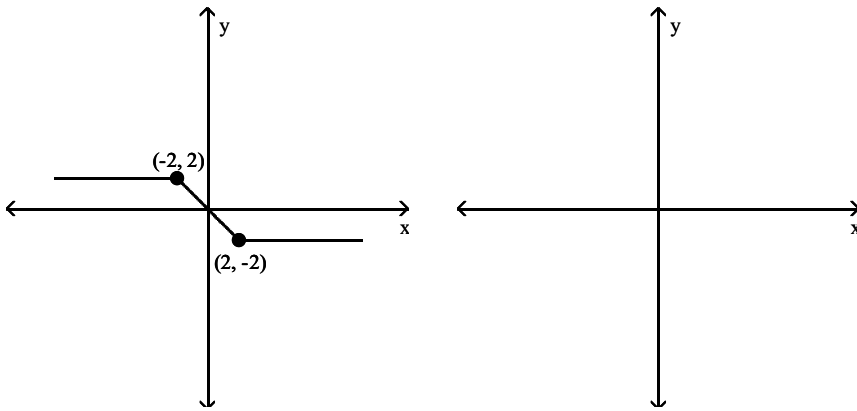


D)

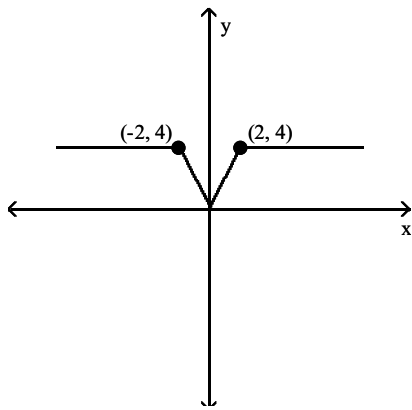


Answer: B

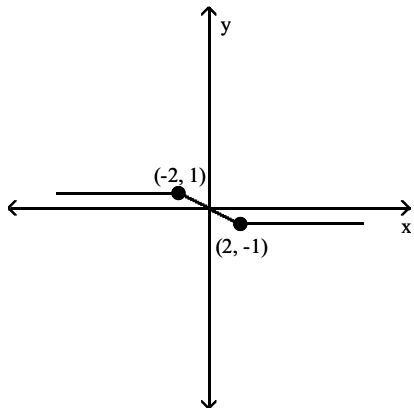
180) Sketch the graph of $y = 2f(x)$.



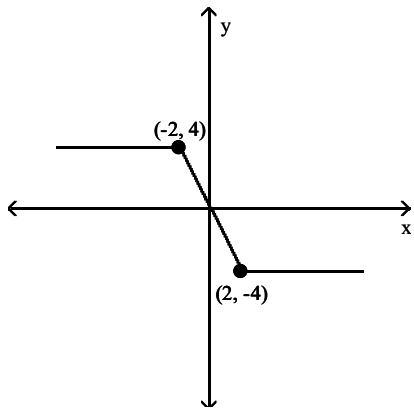
A)



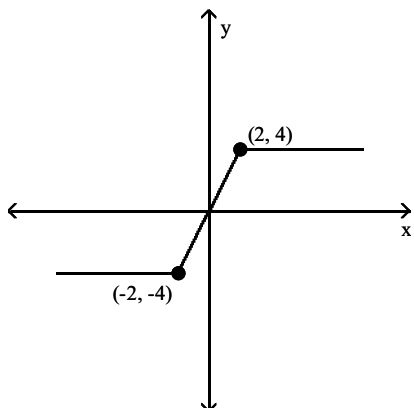
B)



C)

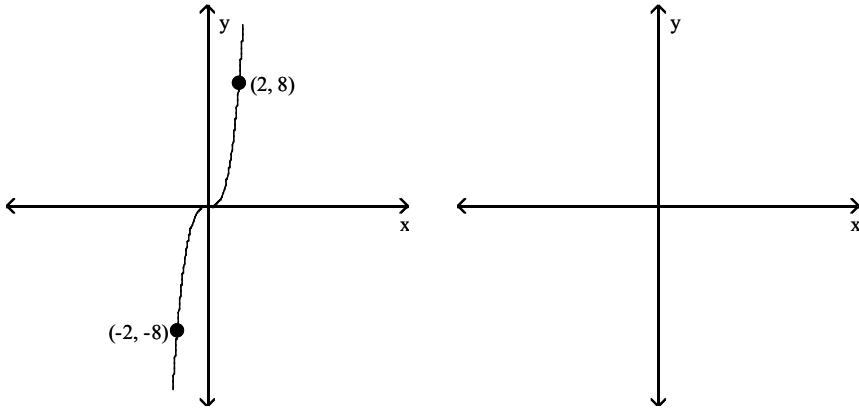


D)

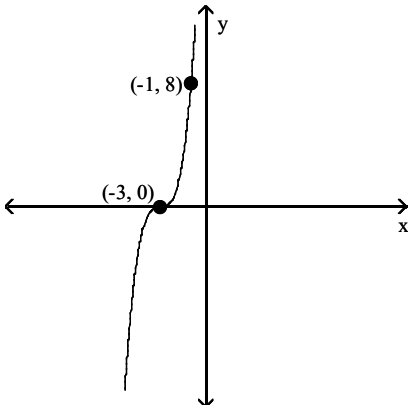


Answer: C

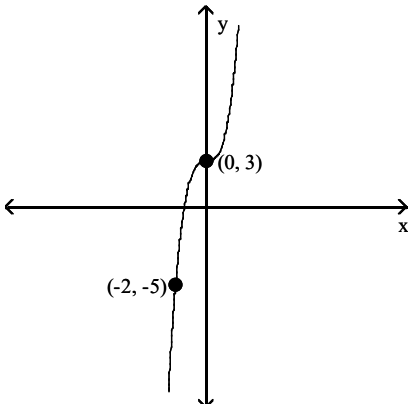
181) Sketch the graph of $y = f(x - 3)$.



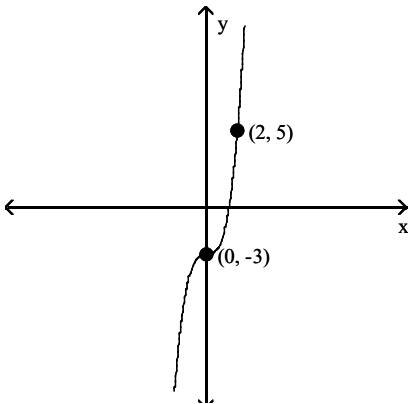
A)



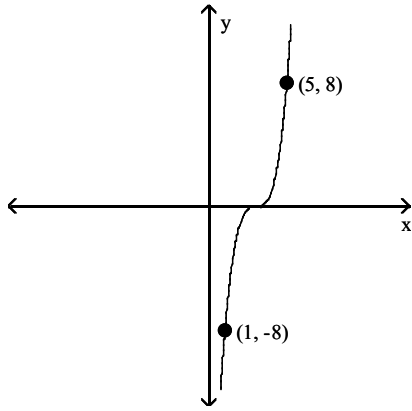
B)



C)

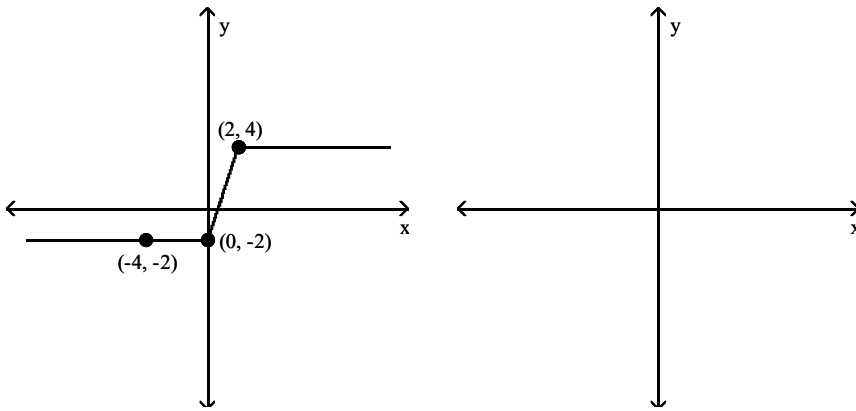


D)

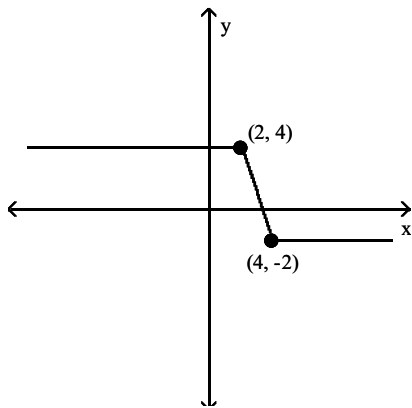


Answer: D

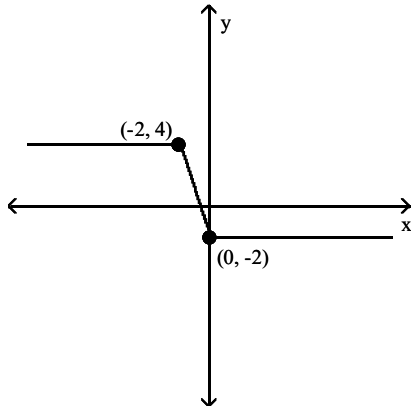
182) Sketch the graph of $y = -f(x)$.



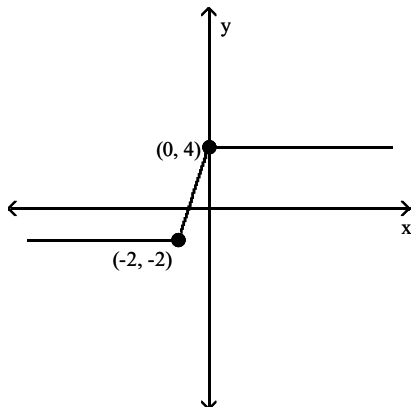
A)



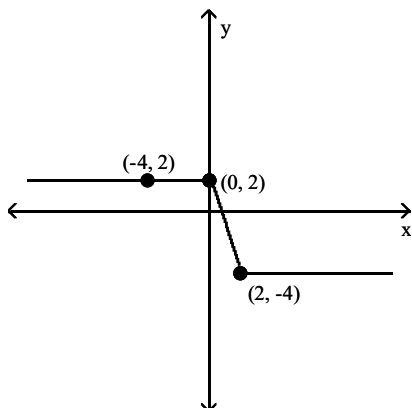
B)



C)



D)



Answer: D

Solve the problem.

183) The function $h = -16t^2 + 16t + 282$ gives the height h , in feet, of a coin tossed upward from a balcony 282 ft high with an initial velocity of 16 ft/sec. During what interval of time will the coin be at a height of at least 90 ft?

- A) $0 \leq t \leq 4$
- B) $4 \leq t \leq 8$
- C) $3 \leq t \leq 4$
- D) $0 \leq t \leq 1$

Answer: A

- 184) The function $h(t) = -16t^2 + 160t - 336$ gives the height h , in feet, of a flare fired from the bottom of a gorge 336 feet deep with an initial velocity of 160 ft/sec. The flare fired is visible only when it is above the rim. During what interval can the flare be seen?
- A) $6 < t < 10$
 - B) $9 < t < 13$
 - C) $3 < t < 7$
 - D) $0 < t < 3$

Answer: C

- 185) The profit made when t units are sold, $t > 0$, is given by $P = t^2 - 22t + 120$. Determine the number of units to be sold for which $P < 0$ (a loss is taken).
- A) $t = 10$ or $t = 12$
 - B) $t < 10$ or $t > 12$
 - C) $t > 0$
 - D) $10 < t < 12$

Answer: D

- 186) If a rocket is propelled upward from ground level, its height in meters after t seconds is given by $h = -9.8t^2 + 127.4t$. During what interval of time will the rocket be higher than 411.6 m?
- A) $12 < t < 13$
 - B) $7 < t < 12$
 - C) $0 < t < 6$
 - D) $6 < t < 7$

Answer: D

- 187) A rectangular enclosure must have an area of at least 3000 yd^2 . If 220 yd of fencing is to be used, and the width cannot exceed the length, within what limits must the width of the enclosure lie?
- A) $50 \leq w \leq 55$
 - B) $0 \leq w \leq 50$
 - C) $50 \leq w \leq 60$
 - D) $55 \leq w \leq 60$

Answer: A

Evaluate.

- 188) Find $(f + g)(4)$ given $f(x) = x - 1$ and $g(x) = x + 2$.
- A) 5
 - B) 7
 - C) 11
 - D) 9

Answer: D

- 189) Find $(f - g)(5)$ given $f(x) = 5x^2 - 3$ and $g(x) = x - 5$.
- A) 112
 - B) 122
 - C) -127
 - D) 132

Answer: B

190) Find $(f \cdot g)(2)$ given $f(x) = x - 1$ and $g(x) = -3x^2 + 14x + 1$.

- A) 51
- B) -33
- C) 33
- D) 17

Answer: D

191) Find $(f/g)(-2)$ given $f(x) = 4x - 2$ and $g(x) = 5x^2 + 14x + 4$.

- A) $-\frac{5}{4}$
- B) $\frac{5}{6}$
- C) $\frac{5}{2}$
- D) -1

Answer: C

192) Given $f(x) = 4x - 4$ and $g(x) = -7x + 8$, find $(f + g)(x)$.

- A) $11x - 4$
- B) $-3x + 4$
- C) $-3x^2 + 4$
- D) $-4x + 12$

Answer: B

193) Given $f(x) = 4x - 2$ and $g(x) = -8x + 9$, find $(f - g)(x)$.

- A) $-4x - 7$
- B) $12x + 11$
- C) $-4x^2 + 11$
- D) $12x - 11$

Answer: D

194) Given $f(x) = 5x + 4$ and $g(x) = x^2 + 5x - 8$, find $(f \cdot g)(x)$.

- A) $x^2 - 10x + 4$
- B) $6x^3 + 31x^2 + 20x - 31$
- C) $x^3 - 29x^2 - 35x - 35$
- D) $5x^3 + 29x^2 - 20x - 32$

Answer: D

Find the indicated function.

195) Let $f = \{(2, 9), (3, 1), (8, 4)\}$ and $g = \{(2, 9), (7, -6), (8, -1)\}$. Find $f + g$.

- A) $\{(2, 18), (8, 3)\}$
- B) $\{(4, 18), (10, -5), (16, 3)\}$
- C) $\{(2, 18), (3, -5), (8, 3)\}$
- D) $\{(4, 18), (16, 3)\}$

Answer: A

196) Let $f = \{(-9, 5), (-5, 3), (4, 8)\}$ and $g = \{(-9, -1), (-1, 4), (4, 3)\}$. Find $f \cdot g$.

- A) $\{(81, -5), (16, 24)\}$
- B) $\{(-9, -5), (4, 24)\}$
- C) $\{(81, -5), (5, 12), (16, 24)\}$
- D) $\{(-9, -5), (-5, 12), (4, 24)\}$

Answer: B

For the pair of functions, perform the indicated operation.

197) $f(x) = 7x - 9$, $g(x) = 4x - 6$

Find $f - g$.

- A) $3x - 15$
- B) $3x - 3$
- C) $11x - 15$
- D) $-3x + 3$

Answer: B

198) $f(x) = 3x^2 - 8x$, $g(x) = x^2 - 4x - 32$

Find f/g .

- A) $\frac{3 - x}{32}$
- B) $\frac{3x}{x + 1}$
- C) $\frac{3x - 8}{-4}$
- D) $\frac{3x^2 - 8x}{x^2 - 4x - 32}$

Answer: D

199) $f(x) = 3 - 4x$, $g(x) = -9x + 4$

Find $f + g$.

- A) $5x + 7$
- B) $-6x$
- C) $-13x + 7$
- D) $-9x + 3$

Answer: C

200) $f(x) = \sqrt{5x + 2}$, $g(x) = \sqrt{9x - 4}$

Find $f \cdot g$.

- A) $(5x + 2)(9x - 4)$
- B) $(\sqrt{5x + 2})(\sqrt{9x - 4})$
- C) $(3x - 2)(\sqrt{5x + 2})$
- D) $(5x + 2)(3x - 2)$

Answer: B

201) $f(x) = 8x - 5$, $g(x) = 2x + 8$

Find $f \cdot g$.

- A) $10x^2 + 54x + 3$
- B) $16x^2 - 2x - 40$
- C) $16x^2 + 54x - 40$
- D) $16x^2 - 40$

Answer: C

Find the specified domain.

202) For $f(x) = 2x - 5$ and $g(x) = \sqrt{x + 7}$, what is the domain of $f + g$?

- A) $[-7, \infty)$
- B) $[0, \infty)$
- C) $(-7, 7)$
- D) $[7, \infty)$

Answer: A

203) For $f(x) = 2x - 5$ and $g(x) = \sqrt{x + 5}$, what is the domain of f/g ?

- A) $(-5, 5)$
- B) $(-5, \infty)$
- C) $[5, \infty)$
- D) $[0, \infty)$

Answer: B

204) For $f(x) = 2x - 5$ and $g(x) = \sqrt{x + 7}$, what is the domain of $f \cdot g$?

- A) $(-7, 7)$
- B) $[0, \infty)$
- C) $[-7, \infty)$
- D) $[7, \infty)$

Answer: C

205) For $f(x) = 2x - 5$ and $g(x) = \sqrt{x + 7}$, what is the domain of $g \cdot f$?

- A) $[7, \infty)$
- B) $[-1, \infty)$
- C) $[\infty, -1)$
- D) $(-7, 7)$

Answer: B

206) For $f(x) = x^2 - 4$ and $g(x) = 2x + 3$, what is the domain of $f - g$?

- A) $(-2, 2)$
- B) $[0, \infty)$
- C) $[2, \infty)$
- D) $(-\infty, \infty)$

Answer: D

207) For $f(x) = x^2 - 81$ and $g(x) = 2x + 3$, what is the domain of f/g ?

- A) $(-9, 9)$
- B) $(-\infty, \infty)$
- C) $\left[-\frac{3}{2}, \infty\right)$
- D) $\left(-\infty, -\frac{3}{2}\right) \cup \left(-\frac{3}{2}, \infty\right)$

Answer: D

208) For $f(x) = x^2 - 25$ and $g(x) = 2x + 3$, what is the domain of g/f ?

- A) $(-\infty, \infty)$
- B) $(-\infty, -5) \cup (-5, 5) \cup (5, \infty)$
- C) $\left[-\frac{3}{2}, \infty\right)$
- D) $\left(-\infty, \frac{3}{2}\right) \cup \left(-\frac{3}{2}, \infty\right)$

Answer: B

209) For $f(x) = x^2 - 36$ and $g(x) = 2x + 3$, what is the domain of $f \cdot g$?

- A) $(-\infty, \infty)$
- B) $[0, \infty)$
- C) $(-6, 6)$
- D) $[6, \infty)$

Answer: A

210) For $f(x) = \sqrt{x - 4}$ and $g(x) = \frac{1}{x - 6}$, what is the domain of $f \cdot g$?

- A) $[4, 6) \cup (6, \infty)$
- B) $[0, 6) \cup (6, \infty)$
- C) $[4, \infty)$
- D) $(4, 6) \cup (6, \infty)$

Answer: A

211) For $g(x) = \sqrt{x + 2}$ and $h(x) = \frac{1}{x - 7}$, what is the domain of $h \cdot g$?

- A) $[0, 47) \cup (47, \infty)$
- B) $[-2, 47) \cup (47, \infty)$
- C) $[0, 7) \cup (7, \infty)$
- D) $[-2, 7) \cup (7, \infty)$

Answer: B

Find the indicated composition of functions.

212) Let $f = \{(-7, -5), (4, -4), (6, -1)\}$ and $g = \{(-5, 7), (-1, 8), (4, 4)\}$. Find $g \circ f$.

- A) $\{(35, -35), (-4, -32), (24, -4)\}$
- B) $\{(-7, 7), (6, 8)\}$
- C) $\{(-7, 7), (4, 8), (6, 4)\}$
- D) $\{(-7, 7), (4, 4), (6, 8)\}$

Answer: B

213) Let $f = \{(1, -6), (7, 8)\}$ and $g = \{(-6, 7), (1, -7), (9, -1)\}$. Find $f \circ g$.

- A) $\{(-6, 8)\}$
- B) $\{(1, 7)\}$
- C) $\{(1, 7), (7, -7)\}$
- D) $\{(-6, 8), (1, -6)\}$

Answer: A

Find the requested function value.

214) Find $(g \circ f)(26)$ when $f(x) = \frac{x-2}{4}$ and $g(x) = 7x + 2$.

- A) 54
- B) 1104
- C) 44
- D) $\frac{91}{2}$

Answer: C

215) Find $(f \circ g)(3)$ when $f(x) = -4x - 8$ and $g(x) = 3x^2 - 4x - 2$.

- A) 18
- B) 1278
- C) -60
- D) 12

Answer: C

216) Find $(g \circ f)(2)$ when $f(x) = -7x + 8$ and $g(x) = 9x^2 + 9x - 7$.

- A) -195
- B) -321
- C) -115
- D) 263

Answer: D

217) Find $(h \circ g \circ f)(29)$ when $f(x) = \frac{x-5}{4}$, $g(x) = 6 - x^2$, and $h(x) = |x - 4|$.

- A) 2
- B) -34
- C) 26
- D) 34

Answer: D

218) $(g \circ f)(x)$: $f(x) = \frac{x-6}{3}$, $g(x) = 3x + 6$

- A) $x + 12$
- B) $x - 2$
- C) x
- D) $3x + 12$

Answer: C

219) $(g \circ f)(x)$: $f(x) = 4x^2 + 4x + 8$, $g(x) = 4x - 5$

A) $4x^2 + 4x + 3$

B) $16x^2 + 16x + 27$

C) $4x^2 + 16x + 27$

D) $16x^2 + 16x + 37$

Answer: B

Find the requested composition of functions.

220) Given $f(x) = 6x + 12$ and $g(x) = 2x - 1$, find $(f \circ g)(x)$.

A) $12x + 6$

B) $12x + 23$

C) $12x + 18$

D) $12x + 11$

Answer: A

221) Given $f(x) = -3x + 6$ and $g(x) = 2x + 5$, find $(g \circ f)(x)$.

A) $6x + 17$

B) $-6x - 7$

C) $-6x + 21$

D) $-6x + 17$

Answer: D

222) Given $f(x) = \frac{4}{x-7}$ and $g(x) = \frac{5}{3x}$, find $(f \circ g)(x)$.

A) $\frac{12x}{5 + 21x}$

B) $\frac{4x}{5 - 21x}$

C) $\frac{5x - 35}{12x}$

D) $\frac{12x}{5 - 21x}$

Answer: D

223) Given $f(x) = \frac{x-4}{9}$ and $g(x) = 9x + 4$, find $(g \circ f)(x)$.

A) x

B) $x + 8$

C) $9x + 32$

D) $x - \frac{4}{9}$

Answer: A

224) Given $f(x) = \sqrt{x+3}$ and $g(x) = 8x - 7$, find $(f \circ g)(x)$.

A) $8\sqrt{x+3} - 7$

B) $8\sqrt{x-4}$

C) $2\sqrt{2x-1}$

D) $2\sqrt{2x+1}$

Answer: C

225) Given $f(x) = 4x^2 + 3x + 4$ and $g(x) = 3x - 6$, find $(g \circ f)(x)$.

A) $4x^2 + 3x - 2$

B) $12x^2 + 9x + 18$

C) $12x^2 + 9x + 6$

D) $4x^2 + 9x + 6$

Answer: C

226) Given $f(x) = \frac{9}{x}$ and $g(x) = 8x^5$, find $(g \circ f)(x)$.

A) $\frac{9}{8x^5}$

B) $\frac{8x^5}{59,049}$

C) $\frac{8x^5}{9}$

D) $\frac{472,392}{x^5}$

Answer: D

Find functions f and g so that $F(x) = (f \circ g)(x)$.

227) $F(x) = \frac{1}{x^2 - 4}$

A) $f(x) = \frac{1}{x}$, $g(x) = x^2 - 4$

B) $f(x) = \frac{1}{x^2}$, $g(x) = x - 4$

C) $f(x) = \frac{1}{x^2}$, $g(x) = -\frac{1}{4}$

D) $f(x) = \frac{1}{4}$, $g(x) = x^2 - 4$

Answer: A

228) $F(x) = |8x + 6|$

A) $f(x) = |x|$, $g(x) = 8x + 6$

B) $f(x) = -|x|$, $g(x) = 8x + 6$

C) $f(x) = x$, $g(x) = 8x + 6$

D) $f(x) = |-x|$, $g(x) = 8x - 6$

Answer: A

$$229) F(x) = \frac{8}{x^2} + 1$$

$$A) f(x) = x + 1, g(x) = \frac{8}{x^2}$$

$$B) f(x) = \frac{1}{x}, g(x) = \frac{8}{x} + 1$$

$$C) f(x) = x, g(x) = \frac{8}{x} + 1$$

$$D) f(x) = \frac{8}{x^2}, g(x) = 1$$

Answer: A

$$230) F(x) = \frac{4}{\sqrt{9x+8}}$$

$$A) f(x) = \sqrt{9x+8}, g(x) = 4$$

$$B) f(x) = \frac{4}{\sqrt{x}}, g(x) = 9x + 8$$

$$C) f(x) = 4, g(x) = \sqrt{9+8}$$

$$D) f(x) = \frac{4}{x}, g(x) = 9x + 8$$

Answer: B

$$231) F(x) = (-4x + 1)^9$$

$$A) f(x) = (-4x)^9, g(x) = 1$$

$$B) f(x) = x^9, g(x) = -4x + 1$$

$$C) f(x) = -4x^9, g(x) = x + 1$$

$$D) f(x) = -4x + 1, g(x) = x^9$$

Answer: B

$$232) F(x) = \sqrt{-85x^2 + 18}$$

$$A) f(x) = \sqrt{-85x^2}, g(x) = \sqrt{18}$$

$$B) f(x) = -85x^2 + 18, g(x) = \sqrt{x}$$

$$C) f(x) = \sqrt{-85x + 18}, g(x) = x^2$$

$$D) f(x) = \sqrt{x}, g(x) = -85x^2 + 18$$

Answer: D

Use the two given functions to write y as a function of x .

$$233) y = -6t + 8, t = 2x - 5$$

$$A) y = -12x + 38$$

$$B) y = -12x + 2$$

$$C) y = -6x + 38$$

$$D) y = -12x + 3$$

Answer: A

234) $y = 4m^2 + 4$, $m = x - 2$

A) $y = 4x^2 + 20$

B) $y = 4x^2 - 16x + 20$

C) $y = 4x^2 - 4x + 8$

D) $y = 4x^2 - 16x + 16$

Answer: B

Find the function from the given verbal description of the function.

235) If m is the square of n and y is m minus 4, then write y as a function of n .

A) $y = (n - 4)^2$

B) $y = n^2 - 4$

C) $y = 2n - 4$

D) $y = 4 - n^2$

Answer: B

236) If w is equal to the square root of x , y is the sum of w and 15, and z is y divided by 9, then write z as a function of x .

A) $z = \frac{\sqrt{x+15}}{9}$

B) $z = \sqrt{\frac{x+15}{9}}$

C) $z = \frac{\sqrt{x} + 15}{9}$

D) $z = \frac{\sqrt{x}}{9} + 15$

Answer: C

Solve the problem.

237) A balloon (in the shape of a sphere) is being inflated. The radius is increasing at a rate of 11 cm per second. Find a function, $r(t)$, for the radius in terms of t . Find a function, $V(r)$, for the volume of the balloon in terms of r . Find $(V \circ r)(t)$.

A) $(V \circ r)(t) = \frac{6655\pi t^2}{3}$

B) $(V \circ r)(t) = \frac{58564\pi\sqrt{t}}{3}$

C) $(V \circ r)(t) = \frac{847\pi t^3}{3}$

D) $(V \circ r)(t) = \frac{5324\pi t^3}{3}$

Answer: D

238) At Allied Electronics, production has begun on the X-15 Computer Chip. The total revenue function is given by $R(x) = 45x - 0.3x^2$ and the total cost function is given by $C(x) = 7x + 13$, where x represents the number of boxes of computer chips produced. The total profit function, $P(x)$, is such that $P(x) = R(x) - C(x)$. Find $P(x)$.

- A) $P(x) = -0.3x^2 + 31x + 13$
- B) $P(x) = 0.3x^2 + 31x - 39$
- C) $P(x) = 0.3x^2 + 38x - 26$
- D) $P(x) = -0.3x^2 + 38x - 13$

Answer: D

239) At Allied Electronics, production has begun on the X-15 Computer Chip. The total revenue function is given by $R(x) = 46x - 0.3x^2$ and the total profit function is given by $P(x) = -0.3x^2 + 35x - 16$, where x represents the number of boxes of computer chips produced. The total cost function, $C(x)$, is such that $C(x) = R(x) - P(x)$. Find $C(x)$.

- A) $C(x) = -0.3x^2 + 22x + 16$
- B) $C(x) = 11x + 16$
- C) $C(x) = 12x + 21$
- D) $C(x) = 13x + 12$

Answer: B

240) At Allied Electronics, production has begun on the X-15 Computer Chip. The total cost function is given by $C(x) = 10x + 8$ and the total profit function is given by $P(x) = -0.3x^2 + 35x - 8$, where x represents the number of boxes of computer chips produced. The total revenue function, $R(x)$, is such that $R(x) = C(x) + P(x)$. Find $R(x)$.

- A) $R(x) = 45x + 0.3x^2$
- B) $R(x) = 44x - 0.6x^2$
- C) $R(x) = 47x - 0.3x^2$
- D) $R(x) = 45x - 0.3x^2$

Answer: D

241) A stone is thrown into a pond. A circular ripple is spreading over the pond in such a way that the radius is increasing at the rate of 2.3 feet per second. Find a function, $r(t)$, for the radius in terms of t . Find a function, $A(r)$, for the area of the ripple in terms of r . Find $(A \circ r)(t)$.

- A) $(A \circ r)(t) = 2.3\pi t^2$
- B) $(A \circ r)(t) = 4.6\pi t^2$
- C) $(A \circ r)(t) = 5.29\pi^2 t$
- D) $(A \circ r)(t) = 5.29\pi t^2$

Answer: D

242) Ken is 6 feet tall and is walking away from a streetlight. The streetlight has its light bulb 14 feet above the ground, and Ken is walking at the rate of 1.9 feet per second. Find a function, $d(t)$, which gives the distance Ken is from the streetlight in terms of time. Find a function, $S(d)$, which gives the length of Ken's shadow in terms of d . Then find $(S \circ d)(t)$.

- A) $(S \circ d)(t) = 1.81t$
- B) $(S \circ d)(t) = 1.43t$
- C) $(S \circ d)(t) = 3.21t$
- D) $(S \circ d)(t) = 1.05t$

Answer: B

- 243) Ken is 6 feet tall and is walking away from a streetlight. The streetlight has its light bulb 14 feet above the ground, and Ken is walking at the rate of 4.3 feet per second. Find a function, $d(t)$, which gives the distance Ken is from the streetlight in terms of time. Find a function, $S(d)$, which gives the length of Ken's shadow in terms of d . Then find $(S \circ d)(t)$. What is the meaning of $(S \circ d)(t)$?
- A) $(S \circ d)(t)$ gives the time in terms of Ken's distance from the streetlight.
 - B) $(S \circ d)(t)$ gives the length of Ken's shadow in terms of time.
 - C) $(S \circ d)(t)$ gives the distance Ken is from the streetlight in terms of time.
 - D) $(S \circ d)(t)$ gives the length of Ken's shadow in terms of his distance from the streetlight.

Answer: B

- 244) The volume of water added to a circular drum of radius r is given by $V_W = 5t$, where V_W is volume in cu ft and t is time in sec. Find the depth of water in a drum of radius 9 ft after adding water for 21 sec. (Round result to one decimal place.)
- A) 0.8 ft
 - B) 0.4 ft
 - C) 0.6 ft
 - D) 1.3 ft

Answer: B

- 245) A retail store buys 235 VCRs from a distributor at a cost of \$220 each plus an overhead charge of \$20 per order. The retail markup is 30% on the total cost. Find the profit on the sale of one VCR.
- A) \$66.00
 - B) \$66.03
 - C) \$6603.00
 - D) \$65.97

Answer: B

Determine whether the function is invertible. If it is, find the inverse.

- 246) $\{(16, 19), (12, -3), (17, -9)\}$
- A) $\{(19, 16), (17, 12), (-9, -3)\}$
 - B) $\{(16, -3), (16, 12), (-9, 17)\}$
 - C) $\{(19, 16), (-3, 12), (-9, 17)\}$
 - D) Not invertible

Answer: C

- 247) $\{(-20, -12), (-5, -12), (-17, 9)\}$
- A) $\{(-12, -20), (15, -5), (9, -17)\}$
 - B) $\{(-12, -20), (-17, -5), (9, 15)\}$
 - C) $\{(-20, 15), (-20, -5), (9, -17)\}$
 - D) Not invertible

Answer: D

- 248) $\{(-8, 3), (-7, 3), (-6, 6), (-5, 9)\}$
- A) $\{(3, -8), (-7, 6), (-6, 9)\}$
 - B) $\{(3, -8), (9, 6), (-6, -7)\}$
 - C) $\{(-8, 9), (-8, 6), (-6, -7)\}$
 - D) Not invertible

Answer: D

- 249) $\{(-8, 6), (8, -6), (2, -4), (-2, 4)\}$
 A) $\{(6, -8), (-6, 8), (-4, 8), (4, -2)\}$
 B) $\{(6, -8), (-8, 8), (-4, 2), (4, -2)\}$
 C) $\{(6, -8), (-6, 8), (-4, 2), (4, -2)\}$
 D) Not invertible

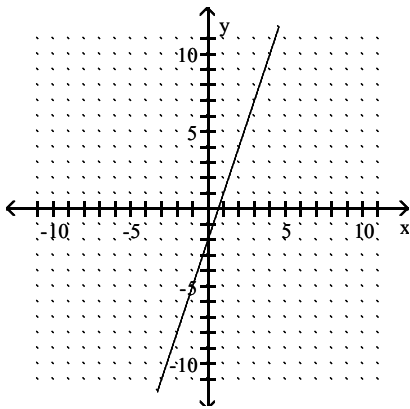
Answer: C

- 250) $\{(6, 6), (6, 7), (4, 8), (2, 9)\}$
 A) $\{(7, 6), (6, 4), (6, 6), (8, 8)\}$
 B) $\{(7, 6), (9, 4), (6, 4), (8, 8)\}$
 C) $\{(6, 6), (7, 6), (8, 4), (9, 2)\}$
 D) Not invertible

Answer: C

Use the horizontal line test to determine whether the function is one-to-one.

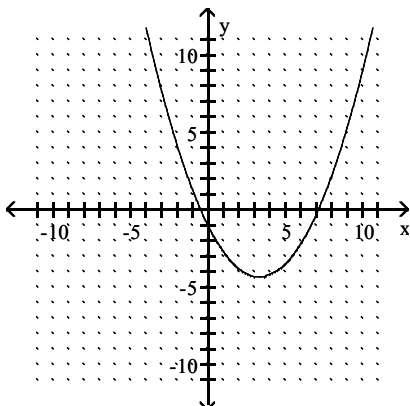
251)



- A) Yes
 B) No

Answer: A

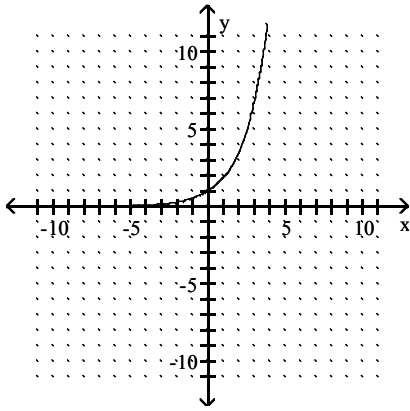
252)



- A) Yes
 B) No

Answer: B

253)

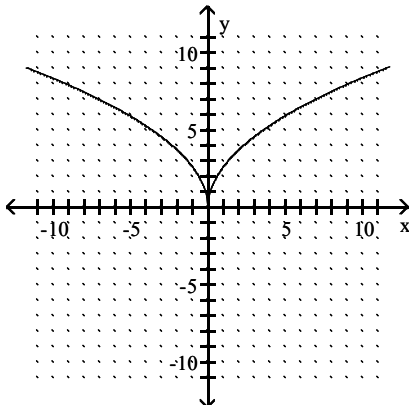


A) No

B) Yes

Answer: B

254)



A) Yes

B) No

Answer: B

Determine whether or not the function is one-to-one.

255) $f(x) = 5x + 2$

A) Yes

B) No

Answer: A

256) $f(x) = x^2 - 4$

A) Yes

B) No

Answer: B

257) $f(x) = 6x^3 + 5$

A) No

B) Yes

Answer: B

258) $f(x) = x^3 - 7$

A) Yes

B) No

Answer: A

259) $f(x) = 4x^2 + x$

A) Yes

B) No

Answer: B

260) $f(x) = -\sqrt[3]{x+76}$

A) No

B) Yes

Answer: B

261) $f(x) = \frac{6}{x-1}$

A) Yes

B) No

Answer: A

262) $f(x) = \frac{x+36}{x-54}$

A) Yes

B) No

Answer: A

Determine whether the function is invertible.

263) The function that pairs the temperature at 3:00 pm in your city in degrees Fahrenheit with the temperature in degrees Celsius.

A) Yes

B) No

Answer: A

264) The function that pairs students' ID numbers with their GPAs.

A) No

B) Yes

Answer: A

Solve.

265) Find f^{-1} for the function $f = \{(1, 5), (3, 8), (-5, -1)\}$.

A) $\{(5, 8), -1\}$

B) Not invertible

C) $\left\{ \left(1, \frac{1}{5} \right), \left(\frac{1}{3}, \frac{1}{8} \right), \left(-\frac{1}{5}, -1 \right) \right\}$

D) $\{(5, 1), (8, 3), (-1, -5)\}$

Answer: D

266) Find $f^{-1}(-3)$ and $(f^{-1} \circ f)(4)$ for the function $f = \{(6, -7), (4, -8), (5, -3)\}$.

- A) $\{5, -8\}$
- B) $\{-3, -8\}$
- C) $\{5, 4\}$
- D) $\left\{-\frac{1}{3}, 4\right\}$

Answer: C

Determine whether the function is invertible by inspecting its graph on a graphing calculator.

267) $f(x) = x^3 - 0.3x^2 + 0.03x - 2$

- A) Yes
- B) No

Answer: A

268) $f(x) = \sqrt[3]{x-3} - \sqrt[3]{x+3}$

- A) No
- B) Yes

Answer: A

Find the inverse of the function.

269) $f(x) = 2x - 1$

- A) $f^{-1}(x) = \frac{x-1}{2}$
- B) $f^{-1}(x) = \frac{x+1}{2}$
- C) $f^{-1}(x) = \frac{x}{2} + 1$
- D) Not invertible

Answer: B

270) $f(x) = -6 - 7x$

- A) $f^{-1}(x) = 1 - x$
- B) $f^{-1}(x) = -\frac{6}{7} + \frac{x}{7}$
- C) $f^{-1}(x) = \frac{6}{7} - \frac{x}{7}$
- D) $f^{-1}(x) = -\frac{6}{7} - \frac{x}{7}$

Answer: D

271) $f(x) = \frac{x}{2} - 8$

- A) $f^{-1}(x) = x + 10$
- B) $f^{-1}(x) = 2x + 16$
- C) $f^{-1}(x) = 2x - 16$
- D) $f^{-1}(x) = 2x + 8$

Answer: B

272) $f(x) = x^2 - 10, x \geq 0$

A) $f^{-1}(x) = \sqrt{x - 10}$

B) $f^{-1}(x) = x^2 + 10$

C) $f^{-1}(x) = \sqrt{x + 10}$

D) $f^{-1}(x) = \sqrt{x^2 + 10}$

Answer: C

273) $f(x) = x^2 - 2, x \leq 0$

A) $f^{-1}(x) = -\sqrt{x^2 + 2}$

B) $f^{-1}(x) = \sqrt{x + 2}$

C) $f^{-1}(x) = x^2 + 2$

D) $f^{-1}(x) = -\sqrt{x + 2}$

Answer: B

274) $f(x) = -x^2 + 5, x \geq 0$

A) $f^{-1}(x) = \sqrt{5 - x}$

B) $f^{-1}(x) = \sqrt{x + 5}$

C) $f^{-1}(x) = -\sqrt{x^2 + 5}$

D) $f^{-1}(x) = x^2 + 5$

Answer: A

275) $f(x) = (x - 7)^2, x \geq 7$

A) $f^{-1}(x) = \sqrt{x} + 7$

B) $f^{-1}(x) = \sqrt{x + 7}$

C) $f^{-1}(x) = -\sqrt{x^2 + 7}$

D) $f^{-1}(x) = x^2 + 7$

Answer: A

276) $f(x) = (x - 15)^2 + 2, x \geq 15$

A) $f^{-1}(x) = \sqrt{x - 2} + 15$

B) $f^{-1}(x) = \sqrt{x + 2} - 15$

C) $f^{-1}(x) = 2x^2 + 15$

D) $f^{-1}(x) = \sqrt{x + 15} - 2$

Answer: A

277) $f(x) = (x + 16)^2 - 3, x \geq -16$

A) $f^{-1}(x) = \sqrt{x + 16} + 3$

B) $f^{-1}(x) = 3x^2 + 16$

C) $f^{-1}(x) = \sqrt{x - 3} + 16$

D) $f^{-1}(x) = \sqrt{x + 3} - 16$

Answer: D

278) $f(x) = x^4 + 6, x \geq 0$

A) $f^{-1}(x) = \sqrt[4]{x - 12}$

B) $f^{-1}(x) = \sqrt[4]{x - 6}$

C) $f^{-1}(x) = \sqrt[4]{x + 6}$

D) Not invertible

Answer: B

279) $f(x) = x^3 + 6$

A) $f^{-1}(x) = \sqrt[3]{x - 6}$

B) $f^{-1}(x) = \sqrt[3]{x} - 6$

C) $f^{-1}(x) = \sqrt[3]{x + 6}$

D) Not invertible

Answer: A

280) $f(x) = 6x^3 - 2$

A) $f^{-1}(x) = \sqrt[3]{\frac{x - 2}{6}}$

B) $f^{-1}(x) = \sqrt[3]{\frac{x + 2}{6}}$

C) $f^{-1}(x) = \sqrt[3]{\frac{x}{6}} + 2$

D) Not invertible

Answer: B

281) $f(x) = \sqrt{x + 7}$ for $x \geq -7$

A) $f^{-1}(x) = x^2 - 49$

B) $f^{-1}(x) = x^2 - 7$

C) $f^{-1}(x) = -x^2 + 7$

D) Not invertible

Answer: B

282) $f(x) = \sqrt{x} - 8$ for $x \geq 0$

A) $f^{-1}(x) = -(x + 8)^2$

B) $f^{-1}(x) = (x - 8)^2$

C) $f^{-1}(x) = x + 8$

D) $f^{-1}(x) = (x + 8)^2$

Answer: D

283) $f(x) = \sqrt{x - 6}$ for $x \geq 6$

A) $f^{-1}(x) = x^2 - 6$

B) $f^{-1}(x) = x^2 + 6$

C) $f^{-1}(x) = x + 6$

D) Not invertible

Answer: B

284) $f(x) = \frac{5}{x + 3}$

A) $f^{-1}(x) = \frac{3 + 5x}{x}$

B) $f^{-1}(x) = \frac{-3x + 5}{x}$

C) $f^{-1}(x) = \frac{x}{3 + 5x}$

D) Not invertible

Answer: B

285) $f(x) = \frac{5x + 4}{5x + 6}$

A) $f^{-1}(x) = \frac{5x - 5}{-6x + 4}$

B) $f^{-1}(x) = \frac{-6x + 4}{5x - 5}$

C) $f^{-1}(x) = \frac{5x + 4}{5x + 6}$

D) Not invertible

Answer: B

286) $f(x) = \sqrt{9x + 4}$

A) $f^{-1}(x) = \frac{(x - 4)^2}{9}$ for $x \geq 0$

B) $f^{-1}(x) = \frac{x^2}{9} - 4$ for $x \geq 0$

C) $f^{-1}(x) = \frac{x^2 - 4}{9}$ for $x \geq 0$

D) $f^{-1}(x) = \frac{2x - 4}{9}$

Answer: C

$$287) f(x) = \sqrt[3]{\frac{x}{9}} - 2$$

A) $f^{-1}(x) = 27(x + 2)$

B) $f^{-1}(x) = 9(x + 2)^3$

C) $f^{-1}(x) = [9(x + 2)]^3$

D) $f^{-1}(x) = 9(x^3 + 2)$

Answer: B

Decide whether or not the functions are inverses of each other.

$$288) f(x) = -\frac{3}{14}x, g(x) = -\frac{14}{3}x$$

A) No

B) Yes

Answer: B

$$289) f(x) = 3x - 7, g(x) = \frac{x + 3}{7}$$

A) No

B) Yes

Answer: A

$$290) f(x) = 3x - 3, g(x) = \frac{1}{3}x + 1$$

A) Yes

B) No

Answer: A

$$291) f(x) = \frac{5}{x + 7}, g(x) = \frac{7x + 5}{x}$$

A) No

B) Yes

Answer: A

$$292) f(x) = 4x + 16, g(x) = \frac{1}{4}x - 4$$

A) No

B) Yes

Answer: B

$$293) f(x) = \sqrt{3 - x}, g(x) = 3 - x^2$$

A) Yes

B) No

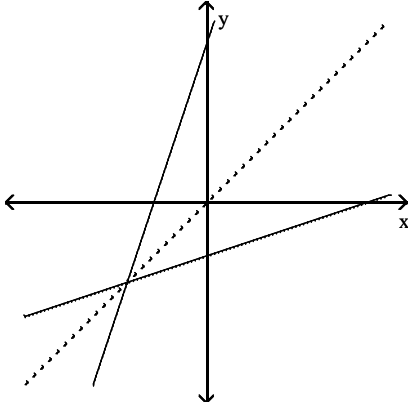
Answer: A

294) $f(x) = \sqrt[3]{3x-7}$, $g(x) = \frac{x^3+7}{3}$

- A) Yes
- B) No

Answer: A

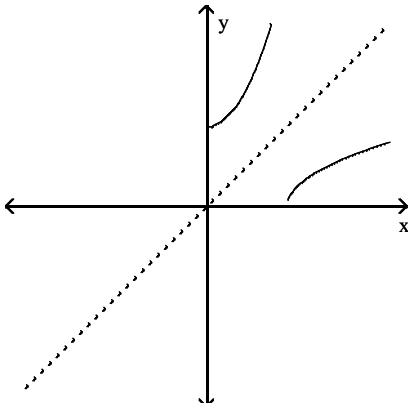
295)



- A) Yes
- B) No

Answer: A

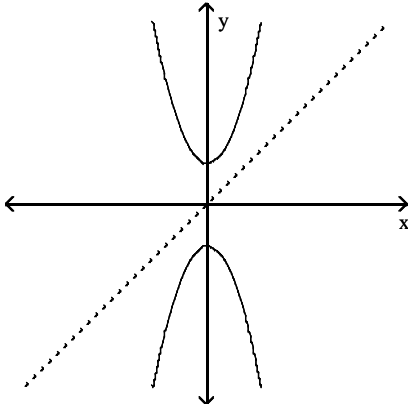
296)



- A) No
- B) Yes

Answer: B

297)

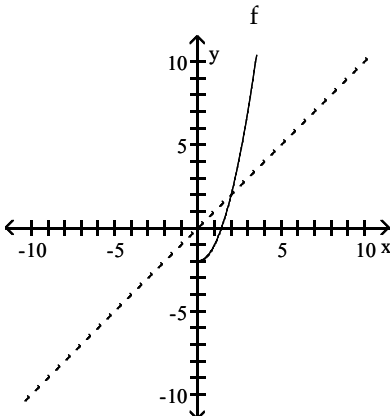


- A) Yes
- B) No

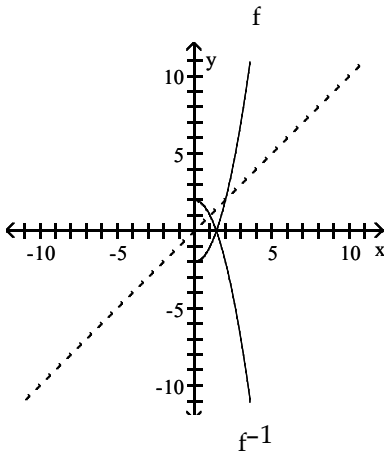
Answer: B

The graph of a function f is given. On the same axes, sketch the graph of f^{-1} .

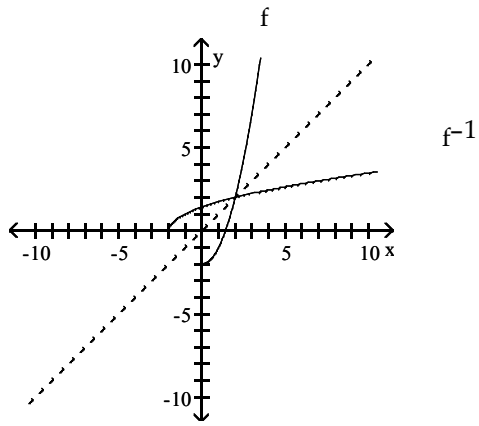
298)



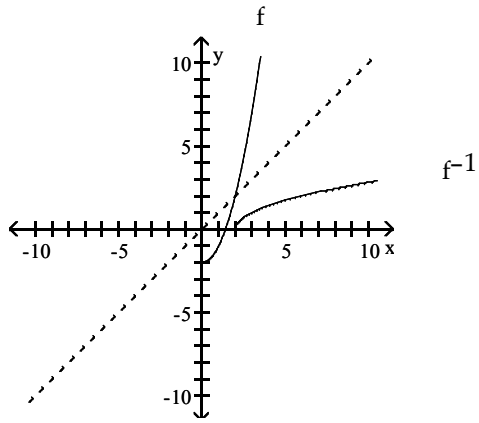
A)



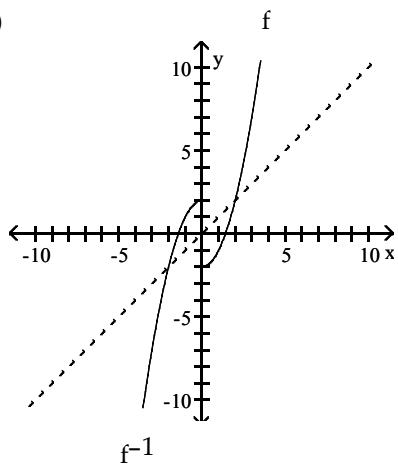
B)



C)

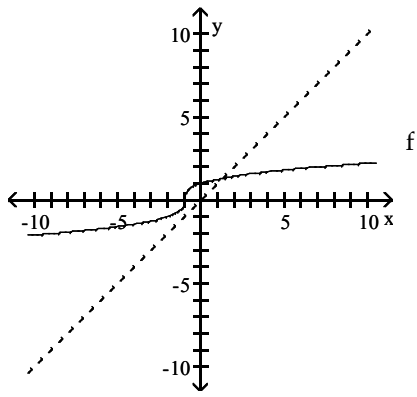


D)

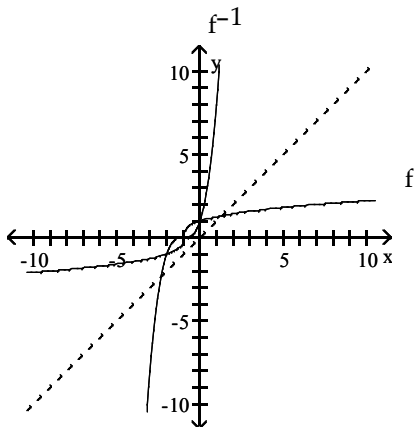


Answer: B

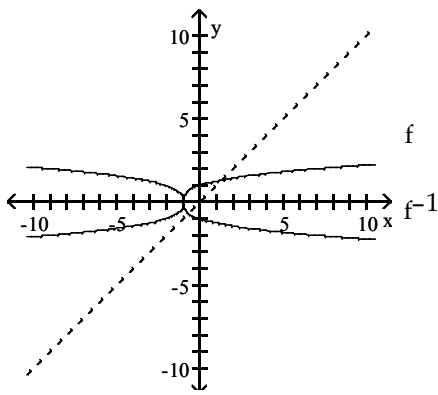
299)



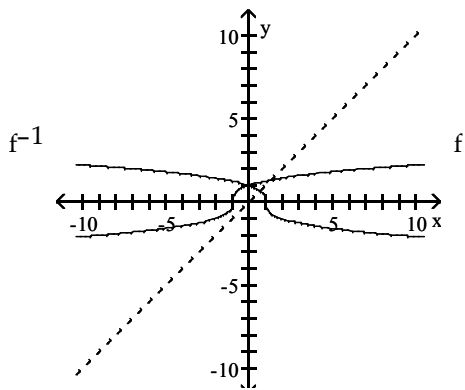
A)



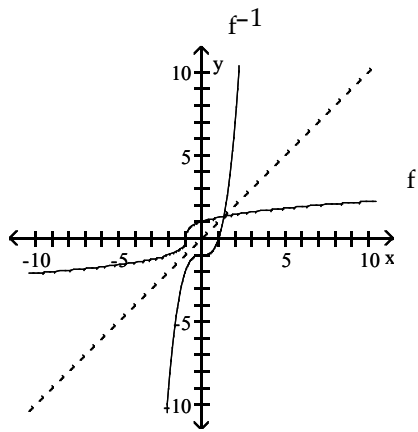
B)



C)



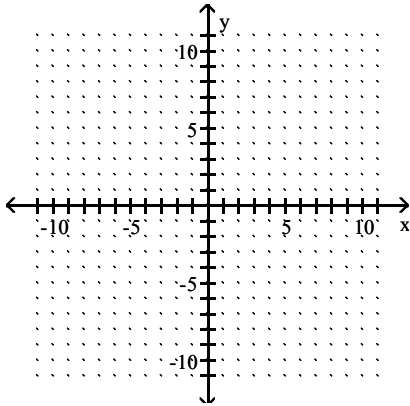
D)



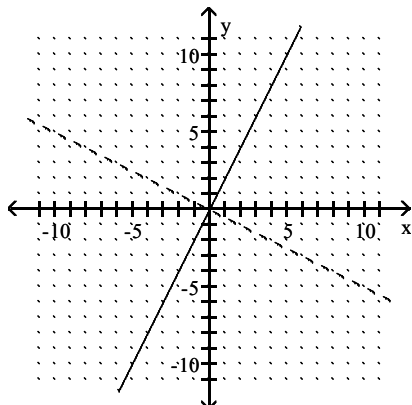
Answer: D

Graph the function as a solid curve and its inverse as a dashed curve.

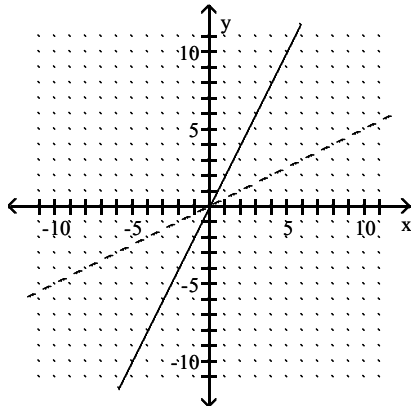
300) $f(x) = 2x$



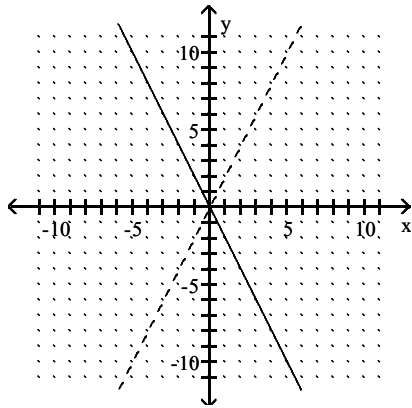
A)



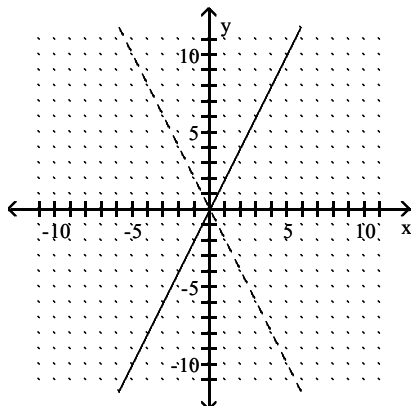
B)



C)

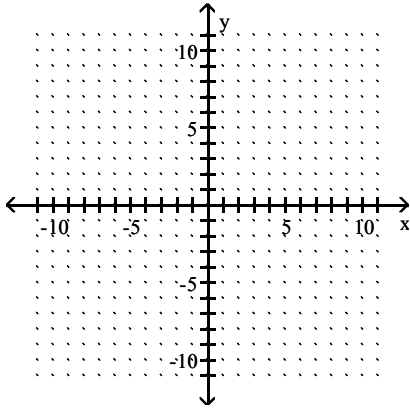


D)

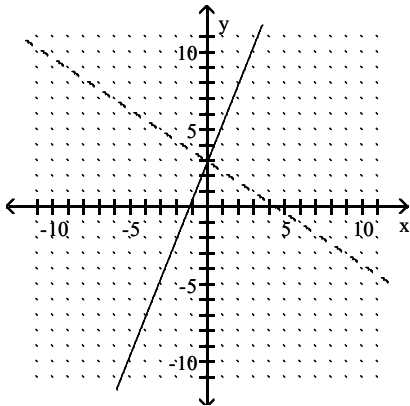


Answer: B

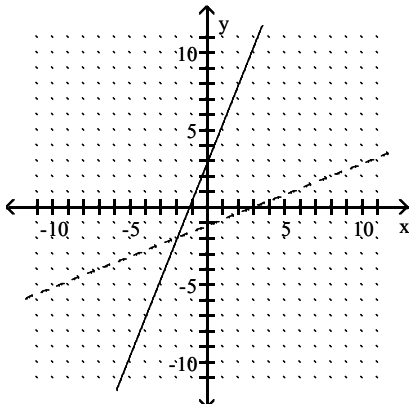
301) $f(x) = \frac{5}{2}x + 3$



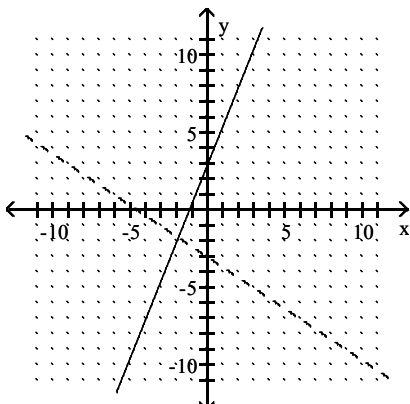
A)



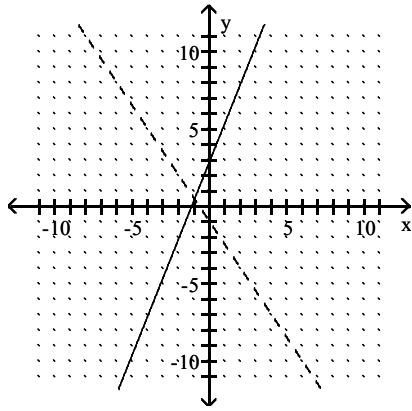
B)



C)

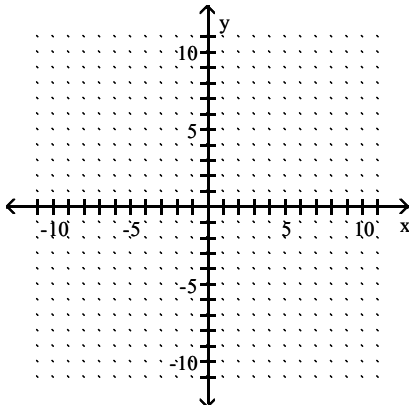


D)

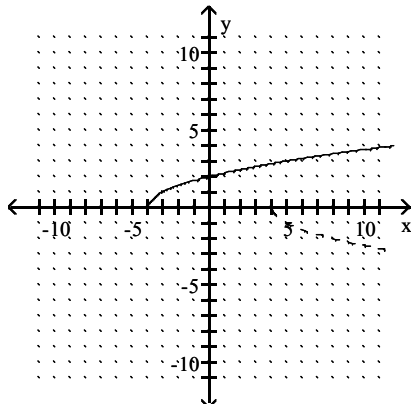


Answer: B

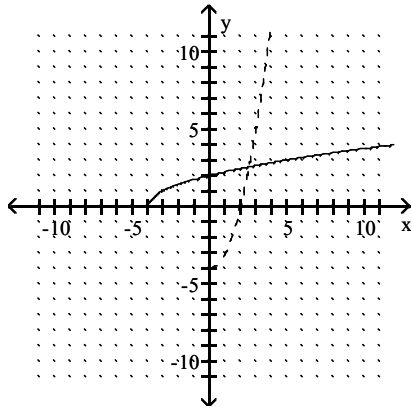
302) $f(x) = \sqrt{x+4}$



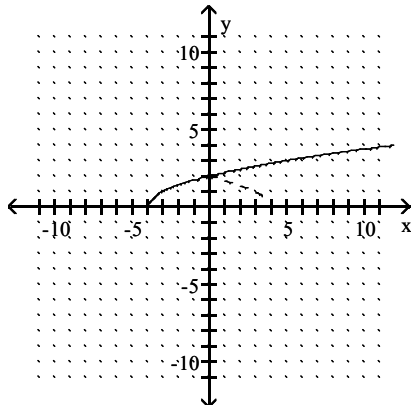
A)



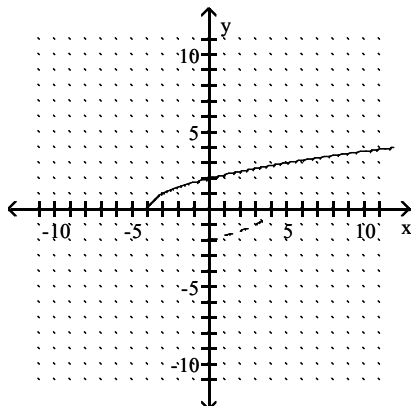
B)



C)

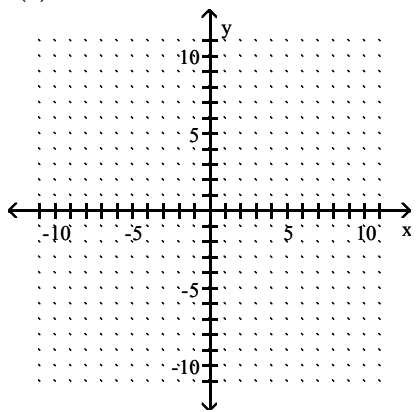


D)

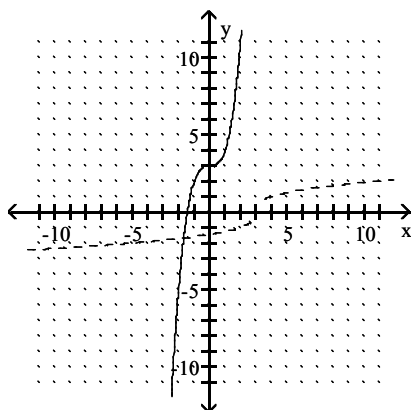


Answer: B

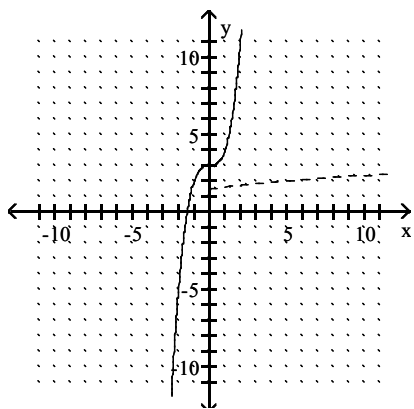
303) $f(x) = x^3 + 3$



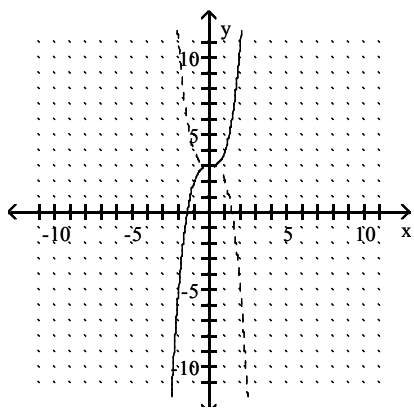
A)



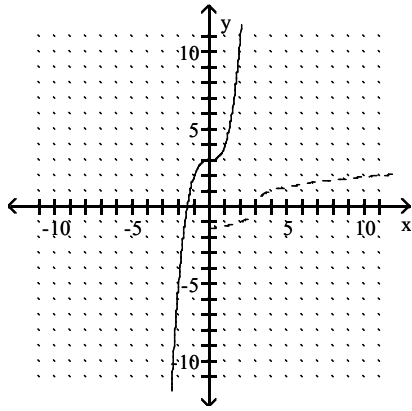
B)



C)

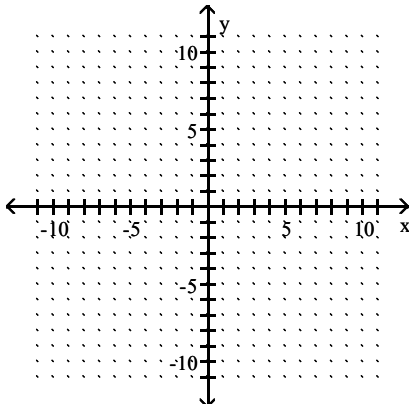


D)

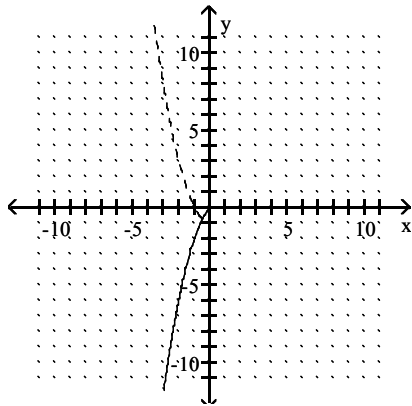


Answer: A

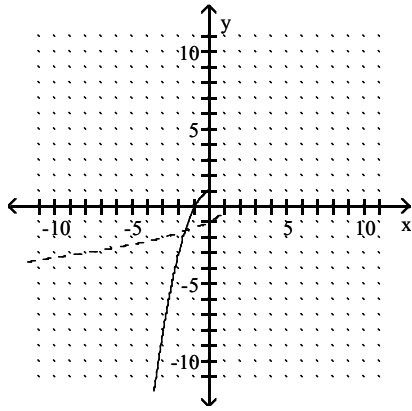
304) $f(x) = 1 - x^2$ for $x \leq 0$



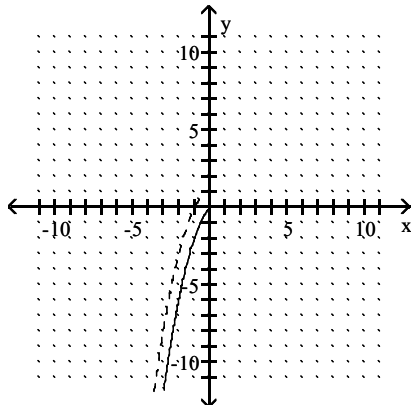
A)



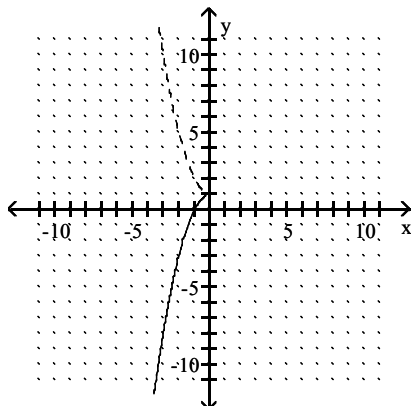
B)



C)



D)



Answer: B

Find a formula for the inverse of the function described below.

305) A size-6 dress in Country C is size 32 in Country D. A function that converts dress sizes in Country C to those in Country D is $f(x) = x + 26$.

A) $f^{-1}(x) = x - 26$

B) $f^{-1}(x) = \frac{x}{26}$

C) $f^{-1}(x) = x + 26$

D) $f^{-1}(x) = \frac{x}{-26}$

Answer: A

306) A size-8 dress in Country C is size 48 in Country D. A function that converts dress sizes in Country C to those in Country D is $f(x) = 2(x + 16)$.

A) $f^{-1}(x) = \frac{x - 16}{2}$

B) $f^{-1}(x) = x - 16$

C) $f^{-1}(x) = \frac{x}{2} - 16$

D) $f^{-1}(x) = \frac{x}{2} + 16$

Answer: C

307) A size-42 dress in Country C is size 9 in Country D. A function that converts dress sizes in Country C to those in Country D is $f(x) = \frac{x}{2} - 12$

A) $f^{-1}(x) = x + 12$

B) $f^{-1}(x) = 2(x + 12)$

C) $f^{-1}(x) = 2(x - 12)$

D) $f^{-1}(x) = 2x + 12$

Answer: B

308) 32° Fahrenheit = 0° Celsius. A function that converts temperatures in Celsius to those in Fahrenheit is $f(x) = \frac{9}{5}x + 32$.

A) $f^{-1}(x) = x + 32$

B) $f^{-1}(x) = \frac{9}{5}x + 32$

C) $f^{-1}(x) = \frac{5}{9}(x - 32)$

D) $f^{-1}(x) = \frac{5}{9}(x + 32)$

Answer: C

309) An organization determines that the cost per person of chartering a bus is given by the formula

$$C(x) = \frac{200 + 7x}{x},$$

where x is the number of people in the group, and $C(x)$ is in dollars.

A) $C^{-1}(x) = \frac{200}{x + 7}$

B) $C^{-1}(x) = \frac{200 + x}{7}$

C) $C^{-1}(x) = \frac{7}{x - 200}$

D) $C^{-1}(x) = \frac{200}{x - 7}$

Answer: D

Write a formula to express the relationship. Use k as the constant of variation.

310) The perimeter P of an equilateral triangle varies directly as the side s.

A) $P = \frac{s}{3}$

B) $P = 3s^2$

C) $P = ks$

D) $P = 3s$

Answer: C

311) The area of an equilateral triangle varies directly as the square of the side s.

A) $A = k^2s$

B) $A = \frac{s^2}{k}$

C) $A = \frac{k}{s^2}$

D) $A = ks^2$

Answer: D

312) The height h of a triangle with a fixed area varies inversely as the base b.

A) $b = kh$

B) $h = \frac{b}{k}$

C) $h = \frac{k}{b}$

D) $h = kb$

Answer: C

313) John kept track of the time it took him to drive to college from his home and the speed at which he drove. He found that the time t varies inversely as the speed r.

A) $t = \frac{k}{r}$

B) $r = kt$

C) $t = \frac{r}{k}$

D) $t = kr$

Answer: A

314) The height h of a cone with a fixed volume varies inversely as the square of its radius r.

A) $h = \frac{k}{r^2}$

B) $h = \frac{r^2}{k}$

C) $r^2 = kh$

D) $h = kr^2$

Answer: A

315) The surface area of a sphere S varies directly as the square of its radius r .

A) $S = \frac{k}{r^2}$

B) $S = \frac{r^2}{k}$

C) $S = k^2r$

D) $S = kr^2$

Answer: D

316) The altitude h of an equilateral triangle varies directly as one side s .

A) $h = ks$

B) $h = ks^2$

C) $h = \frac{k}{s}$

D) $h = \frac{s}{k}$

Answer: A

317) The cost c of a turkey varies directly as its weight w .

A) $c = \frac{k}{w}$

B) $c = \frac{w}{k}$

C) $c = kw$

D) $c = kw^2$

Answer: C

318) The area of a triangle varies jointly as the base and the height.

A) $A = k(b + h)$

B) $A = kbh$

C) $A = bh$

D) $A = \frac{kb}{h}$

Answer: B

319) The force of attraction between an object of fixed mass and a second object of mass m varies directly as m and inversely as the square of the distance d between the two objects.

A) $F = kmd^2$

B) $F = \frac{km}{d}$

C) $F = \frac{k}{md^2}$

D) $F = \frac{km}{d^2}$

Answer: D

SHORT ANSWER. Write the word or phrase that best completes each statement or answers the question.

Translate the given formula to English.

320) $C = 2\pi r$, where C is the circumference of a circle of radius r

Answer: The circumference of a circle varies directly as the radius.

321) $A = (\frac{1}{2})bh$, where A is the area of a triangle with given base and height

Answer: The area of a triangle varies jointly as the height and base.

322) $P = nb$, where P is the perimeter of a regular polygon with n sides each of length b.

Answer: The perimeter of a regular polygon varies jointly as the side length and number of sides.

323) $f = \frac{m^2v}{r}$, where f is the centripetal force of an object of mass m moving along a circle of radius r at velocity v

Answer: The centripetal force of an object varies jointly as mass squared and velocity and inversely as the radius of the circle it moves along.

324) $r = \frac{d}{t}$, where r is the rate by which distance d is covered in time t

Answer: Rate varies directly as distance and inversely as time.

325) $P = \frac{NkT}{V}$, where P is the gas pressure of N molecules in a volume V at temperature T

Answer: Pressure varies jointly as temperature and number of molecules and inversely as volume.

326) $I = PRT$, where I is the simple interest on a principal of P dollars at a rate of interest R per year

Answer: Simple interest varies jointly as principal, rate of interest, and time.

327) $f\text{-stop} = \frac{f}{D}$, where f-stop is camera setting with a lens with focal length f and diaphragm opening D

Answer: A camera's f-stop varies directly as the lens focal length and inversely as the diaphragm opening.

328) $F = \frac{km_1m_2}{d^2}$, where F is the force of attraction between two objects with masses m_1 and m_2 respectively and d

is the distance between the two objects

Answer: Force of attraction varies jointly as m_1 and m_2 and inversely as the square of d.

MULTIPLE CHOICE. Choose the one alternative that best completes the statement or answers the question.

Find the constant of variation and construct the function that is expressed in each statement.

329) y varies directly as x: $y = 20$, when $x = 5$

A) $y = 5x$

B) $y = 20x$

C) $y = 4x$

D) $y = \frac{100}{x}$

Answer: C

330) y varies directly as x : $y = 15$, when $x = 4$

A) $y = 3.75x$

B) $y = 0.27x$

C) $y = 3.75y$

D) $y = 15x$

Answer: A

331) y varies directly as x : $y = 2.7$, when $x = 1.2$

A) $y = 2.25x$

B) $y = \frac{1}{2.25}x$

C) $y = \frac{3.24}{x}$

D) $y = 2.7x$

Answer: A

332) y varies directly as x : $y = 2.7$, when $x = 1.5$

A) $x = 2.7y$

B) $x = 1.8y$

C) $y = 2.7x$

D) $y = 1.8x$

Answer: D

333) y varies inversely as x : $y = 22$, when $x = 4$

A) $y = \frac{5.5}{x}$

B) $y = \frac{26}{x}$

C) $y = \frac{88}{x}$

D) $y = 5.5x$

Answer: C

334) y varies inversely as x : $y = 8$, when $x = 13$

A) $y = \frac{21}{x}$

B) $y = \frac{104}{x}$

C) $y = \frac{0.62}{x}$

D) $y = 104x$

Answer: B

335) y varies inversely as x : $y = 0.4$, when $x = 0.6$

A) $y = \frac{0.67}{x}$

B) $y = \frac{0.24}{x}$

C) $y = \frac{1}{x}$

D) $y = 0.67x$

Answer: B

336) y varies inversely as x : $y = 6.75$, when $x = 0.16$

A) $y = \frac{1.08}{x}$

B) $y = \frac{42.19}{x}$

C) $y = 42.19x$

D) $y = \frac{1.48}{x}$

Answer: A

337) y varies jointly as x and the square of w : $y = 584.808$, when $x = 4.8$ and $w = 5.9$.

A) $y = 3.5xw^2$

B) $y = 4.302x^2w$

C) $y = 20.65xw$

D) $y = 20.65xw^2$

Answer: A

338) y varies directly as the square root of x and inversely as w : $y = -13.72$, when $x = 1.96$ and $w = -0.5$.

A) $y = 19.6\sqrt{x}w$

B) $y = \frac{6.86\sqrt{x}}{w}$

C) $y = \frac{4.9\sqrt{x}}{w}$

D) $y = \frac{9.604}{w\sqrt{x}}$

Answer: C

Solve the problem.

339) If m varies directly as p , and $m = 54$ when $p = 6$, find m when p is 8.

A) $m = 64$

B) $m = 36$

C) $m = 72$

D) $m = 81$

Answer: C

340) If y varies inversely as x , and $y = \frac{10}{3}$ when $x = \frac{1}{2}$, find y when $x = \frac{1}{3}$.

A) $y = \frac{20}{9}$

B) $y = \frac{5}{3}$

C) $y = 5$

D) $y = \frac{5}{9}$

Answer: C

341) If f varies jointly as q^2 and h , and $f = 64$ when $q = 4$ and $h = 2$, find k .

A) $k = 2$

B) $k = 4$

C) $k = 48$

D) $k = 6$

Answer: A

342) If f varies jointly as q^2 and h , and $f = 64$ when $q = 4$ and $h = 2$, find q when $f = 108$ and $h = 6$.

A) $q = 6$

B) $q = 3$

C) $q = 4$

D) $q = 2$

Answer: B

343) If f varies jointly as q^2 and h , and $f = -16$ when $q = 2$ and $h = 2$, find f when $q = 3$ and $h = 5$.

A) $f = -18$

B) $f = -90$

C) $f = -30$

D) $f = -10$

Answer: B

344) If f varies jointly as q^2 and h , and $f = -64$ when $q = 4$ and $h = -2$, find k .

A) $k = -2$

B) $k = 2$

C) $k = 4$

D) $k = 3$

Answer: B

345) If f varies jointly as q^2 and h , and $f = 24$ when $q = 2$ and $h = 3$, find f when $q = 3$ and $h = 4$.

A) $f = 18$

B) $f = 72$

C) $f = 24$

D) $f = 8$

Answer: B

346) If s varies directly as t^2 , and $s = 256$ when $t = 8$, find s when t is 3.

- A) $s = 32$
- B) $s = 96$
- C) $s = 24$
- D) $s = 36$

Answer: D

347) If x varies inversely as y^2 , and $x = 4$ when $y = 6$, find x when $y = 3$.

- A) $x = 32$
- B) $x = 16$
- C) $x = 36$
- D) $x = 2$

Answer: B

348) If y varies directly as x and inversely as the square root of w , and $y = 63$ when $x = 7$ and $w = 8$, find y when $x = 3$ and $w = 18$.

- A) $y = 54\sqrt{2}$
- B) $y = 18$
- C) $y = 18\sqrt{2}$
- D) $y = 36$

Answer: B

Determine whether the first variable varies directly or inversely with the other variable.

349) The height of a building in inches, the height of the same building in feet

- A) Directly
- B) Inversely

Answer: A

350) The number of pizzas that you can buy for \$50, the price per pizza

- A) Inversely
- B) Directly

Answer: A

351) The time it takes an athlete to run 100 meters, her average speed

- A) Inversely
- B) Directly

Answer: A

352) The depth of a diver in the ocean, the pressure exerted by the water on the diver.

- A) Directly
- B) Inversely

Answer: A

Solve the problem.

- 353) The volume V of a given mass of gas varies directly as the temperature T and inversely as the pressure P . If $V = 585.0 \text{ in.}^3$ when $T = 450^\circ$ and $P = 10 \text{ lb/in.}^2$, what is the volume when $T = 400^\circ$ and $P = 20 \text{ lb/in.}^2$?
- A) 260.0 in.^3
 - B) 220.0 in.^3
 - C) 250.0 in.^3
 - D) 270.0 in.^3

Answer: A

- 354) The intensity I of light varies inversely as the square of the distance D from the source. If the intensity of illumination on a screen 5 ft from a light is 3 foot-candles, find the intensity on a screen 20 ft from the light.
- A) $\frac{3}{17}$ foot-candle
 - B) $\frac{3}{16}$ foot-candle
 - C) 2 foot-candles
 - D) $1\frac{3}{16}$ foot-candles

Answer: B

- 355) The weight of a body above the surface of the earth is inversely proportional to the square of its distance from the center of the earth. What is the effect on the weight when the distance is multiplied by 4?
- A) The weight is multiplied by 4.
 - B) The weight is multiplied by 16.
 - C) The weight is divided by 4.
 - D) The weight is divided by 16.

Answer: D

- 356) The period of vibration P for a pendulum varies directly as the square root of the length L . If the period of vibration is 2.5 sec when the length is 25 inches, what is the period when $L = 5.0625$ inches?
- A) 3 sec
 - B) 3.25 sec
 - C) 1.125 sec
 - D) 3.5 sec

Answer: C

- 357) The gravitational attraction A between two masses varies inversely as the square of the distance between them. The force of attraction is 9 lb when the masses are 2 ft apart, what is the attraction when the masses are 6 ft apart?
- A) 4 lb
 - B) 1 lb
 - C) 3 lb
 - D) 2 lb

Answer: B

- 358) The time T necessary to make an enlargement of a photo negative varies directly as the area A of the enlargement. If 175 seconds are required to make a 5-by-5 enlargement, find the time required for a 6-by-7 enlargement.
- A) 378 sec
 - B) 336 sec
 - C) 252 sec
 - D) 294 sec

Answer: D

- 359) The weight of a liquid varies directly as its volume V . If the weight of the liquid in a cubical container 5 cm on a side is 375 g, find the weight of the liquid in a cubical container 4 cm on a side.
- A) 44 g
 - B) 192 g
 - C) 12 g
 - D) 64 g

Answer: B

- 360) The time T necessary to make an enlargement of a photo negative varies directly as the area A of the enlargement. If 48 seconds are required to make a 3-by-4 enlargement, find the time required for a 7-by-10 enlargement.
- A) 210 sec
 - B) 280 sec
 - C) 420 sec
 - D) 350 sec

Answer: B

- 361) The shadow cast by an object on a sunny day varies directly as the height of the object. If a person 83 inches tall casts a shadow 76 inches long, how tall is a tree which casts a shadow 38 feet in length? Round to the nearest hundredth when necessary.
- A) 41.5 feet
 - B) 34.8 feet
 - C) 79.5 feet
 - D) 166 feet

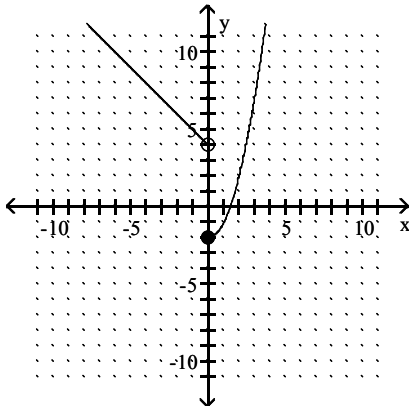
Answer: A

Provide an appropriate response.

- 362) Which of the following is a horizontal translation and a reflection of the function $y = [x]$ about the x -axis? Use your graphics calculator to verify your result.
- A) $y = [x + 1]$
 - B) $y = -[x + 1]$
 - C) $y = -[x] + 1$
 - D) $y = -[x]$

Answer: B

363) Give the equation that describes the graph shown.



- A) $f(x) = \begin{cases} x - 2 & \text{for } x \geq -1 \\ -x^2 & \text{for } x < -1 \end{cases}$
- B) $f(x) = \begin{cases} -2 & \text{for } x \geq 0 \\ 2 & \text{for } x < 0 \end{cases}$
- C) $f(x) = \begin{cases} x^2 - 2 & \text{for } x \geq 0 \\ -x + 4 & \text{for } x < 0 \end{cases}$
- D) $f(x) = \begin{cases} \sqrt{x} & \text{for } x \geq 0 \\ x^2 & \text{for } x < 0 \end{cases}$

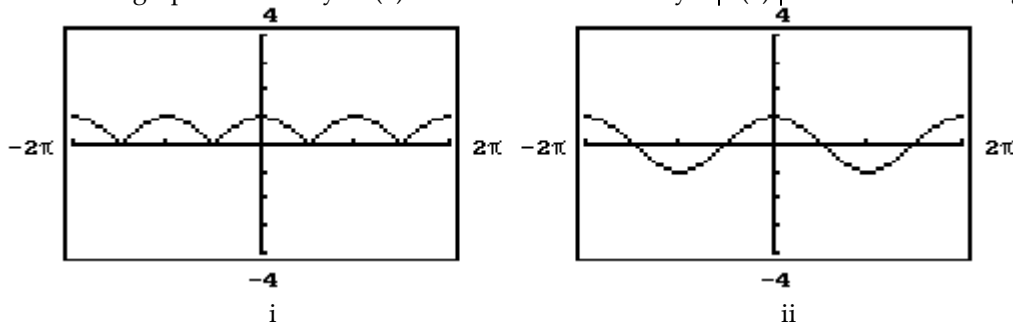
Answer: C

364) True or false? In order to graph $y = |f(x)|$, the graph is the same as that of $y = f(x)$ for values of $f(x)$ that are negative, and for nonnegative values of $y = f(x)$, the graph is reflected across the x -axis.

- A) True
B) False

Answer: B

365) One of the graphs is that of $y = f(x)$ and the other is that of $y = |f(x)|$. State which is the graph of $y = |f(x)|$.



- A) i
B) ii

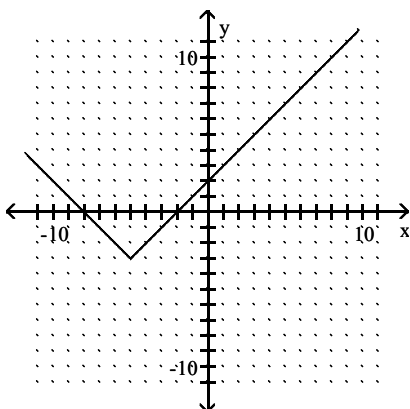
Answer: A

366) Which function represents a vertical translation of the parabola $y = (x - 1)^2 + 3$?

- A) $y = (x - 1)^2 + 4$
- B) $y = x^2 + 3$
- C) $y = -(x - 1)^2 + 3$
- D) $y = (x + 1)^2 + 3$

Answer: A

367) The graph shown is a translation of the function $y = |x|$. The graph shown is of the form $y = |x - h| + k$. What are the values of h and k ?



- A) $h = 5, k = 3$
- B) $h = 5, k = -3$
- C) $h = -5, k = 3$
- D) $h = -5, k = -3$

Answer: D

SHORT ANSWER. Write the word or phrase that best completes each statement or answers the question.

368) Is $f(x + h)$ the same as $f(x) + f(h)$? Explain and give an example.

Answer: No. Explanations will vary

369) Explain in your own words why $g(x + h)$ is not the same as $g(x) + h$.

Answer: In $g(x) + h$, h is added to the original function. In $g(x + h)$, $x + h$ is substituted for x in the original function.

MULTIPLE CHOICE. Choose the one alternative that best completes the statement or answers the question.

370) True or false? If f is a one-to-one function and the graph of f lies completely within the fourth quadrant, then the graph of f^{-1} lies completely within the second quadrant.

- A) True
- B) False

Answer: A

371) True or false? If f is a one-to-one function and the graph of f lies completely within the second and third quadrants, then the graph of f^{-1} lies completely within the first and third quadrants.

- A) True
- B) False

Answer: B

Name: _____

Determine whether each equation defines y as a function of x .

1. $|x| - 3y = 2$

1. _____

2. $x = y^2 - 2y + 1$

2. _____

State the domain and range of each relation.

3. $y = |2x - 3|$

3. domain: _____
range: _____

4. $x = \sqrt{y + 1}$

4. domain: _____
range: _____

Sketch the graph of each function.

5. $x + 2y = 4$

6. $y = \sqrt{x - 1}$

7. $y = -(x - 1)^2 - 2$

8. $f(x) = \begin{cases} x + 1, & \text{for } x < 2 \\ 2 - x, & \text{for } x \geq 2 \end{cases}$

Let $f(x) = 2x^2 - 3$ and $g(x) = 1 + 3x$. Find and simplify each of the following expressions.

9. $f(-4)$

10. $g^{-1}(x)$

11. $(g \circ f)(2)$

12. $\frac{g(x+h) - g(x)}{h}$

9. _____

10. _____

11. _____

12. _____

Solve each problem.

13. State the intervals on which $f(x) = 1 - x^2$ is increasing.

13. _____

14. Discuss the symmetry of the graph of the function $f(x) = x^3 - x$.

14. _____

15. State the solution set to the inequality $(x - 1)^2 > 1$ using interval notation.

15. _____

16. Pete's Print Shop charges \$60 for printing 300 business cards and \$80 for printing 500 business cards. What is the average rate of change of the cost of printing as the number of cards goes from 300 to 500?

16. _____

17. The area of a rectangle is 30 square feet. Write the perimeter of this rectangle as a function of the length of one of its sides, x .

17. _____

18. The grade on Walker's math test varies directly with the number of hours he spends studying for the test. If he studies only 2 hours, he makes a 62. What will his score be if he studies for 3 hours?

18. _____

Name: _____

Determine whether each equation defines y as a function of x .

1. $2x^2 - 4y = 3$

2. $x = |y|$

1. _____

2. _____

State the domain and range of each relation.

3. $y = |2x| + 1$

4. $x = y^2 - 1$

3. domain: _____
range: _____

4. domain: _____
range: _____

Sketch the graph of each function.

5. $3x - y = 3$

6. $y = \sqrt{x} + 2$

7. $f(x) = \begin{cases} 1 - x, & \text{for } x < 1 \\ 2x + 1, & \text{for } x \geq 1 \end{cases}$

8. $y = (x + 2)^2 + 1$

Let $f(x) = \sqrt{x + 15}$ and $g(x) = 5x + 1$. Find and simplify each of the following.

9. $f(-7)$

10. $g^{-1}(x)$

11. $(f \circ g)(0)$

12. $\frac{g(x+h) - g(x)}{h}$

9. _____

10. _____

11. _____

12. _____

Solve each problem.

13. State the intervals on which $f(x) = (x - 1)^2 + 2$ is increasing.

13. _____

14. Discuss the symmetry of the graph of the function $f(x) = x^2 - |x|$.

14. _____

15. State the solution set to the inequality $(x + 1)^2 < 1$ using interval notation.

15. _____

16. Pete's Print Shop charges \$50 for printing 500 business cards and \$90 for printing 1000 business cards. What is the average rate of change of the cost of printing as the number of cards goes from 500 to 1000?

16. _____

17. The perimeter of a rectangle is 10 square feet. Write the area of this rectangle as a function of the length of one of its sides, x .

17. _____

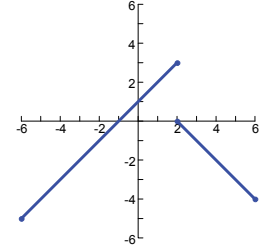
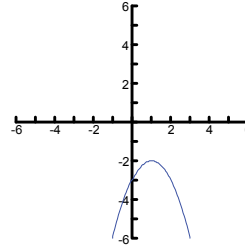
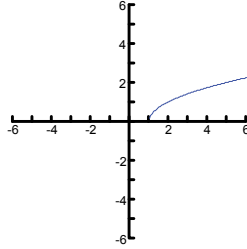
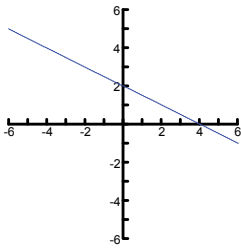
18. The grade on Walker's math test varies directly with the number of hours he spends studying for the test. If he studies only 2 hours, he makes a 50. What will his score be if he studies for 3 hours?

18. _____

CHAPTER 2

Form A:

1. Yes 2. No 3. d: $(-\infty, \infty)$, r: $[0, \infty)$ 4. d: $[0, \infty)$, r: $[-1, \infty)$
 5. 6. 7. 8. open circle at $(2, 3)$

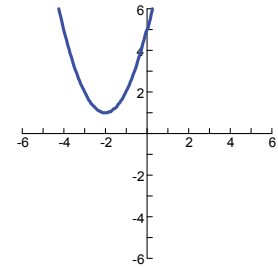
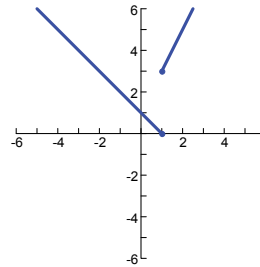
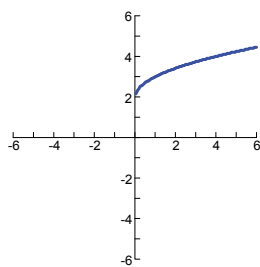
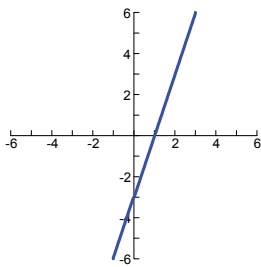


9. 29 10. $\frac{x-1}{3}$ 11. 16 12. 3 13. $(-\infty, 0)$
 14. symmetric about the origin 15. $(-\infty, 0) \cup (2, \infty)$ 16. 10¢ per card

17. $P = 2x + \left(\frac{60}{x}\right)$ 18. 93

Form B:

1. Yes 2. No 3. d: $(-\infty, \infty)$, r: $[1, \infty)$ 4. d: $[-1, \infty)$, r: $(-\infty, \infty)$
 5. 6. 7. open circle at $(1, 0)$ 8.



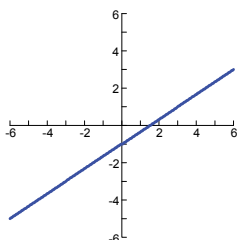
9. $2\sqrt{2}$ 10. $\frac{x-1}{5}$ 11. 4 12. 5 13. $(1, \infty)$
 14. Symmetric to the y -axis 15. $(-2, 0)$ 16. 8¢ per card

17. $A = 5x - x^2$ 18. 75

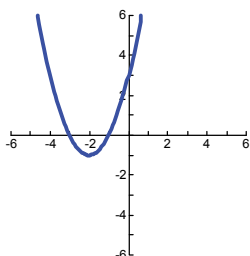
Form C:

1. No 2. No 3. d: $(-\infty, \infty)$, r: $[2, \infty)$ 4. d: $(-\infty, 0) \cup (0, \infty)$, r: $(-3, \infty)$

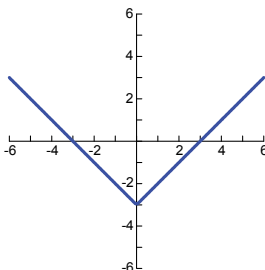
5.



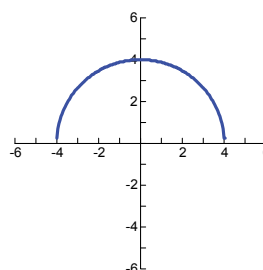
6.



7.



8.



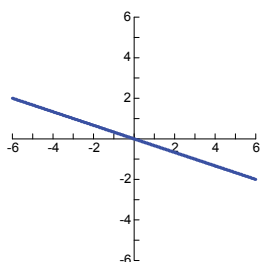
9. $2\sqrt{6}$ 10. $5 - x^2$, for $x \geq 0$ 11. 2 12. $2x + h - 1$ 13. $(2, \infty)$

14. $(g \circ h)(x)$ 15. $(-\infty, -3] \cup [1, \infty)$ 16. 70¢ per flyer 17. $A = \frac{1}{2}d^2$ 18. \$440

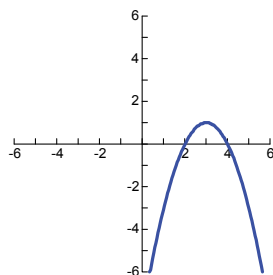
Form D:

1. Yes 2. Yes 3. d: $[-2, 2]$, r: $[0, 2]$ 4. d: $(-\infty, \infty)$, r: $(-\infty, -1] \cup (2, \infty)$

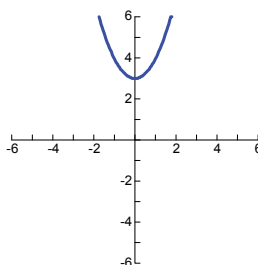
5.



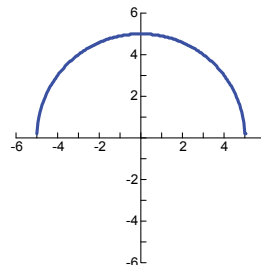
6.



7.



8.



9. 25 10. $(\frac{x-1}{2})^2$, for $x \geq 1$ 11. 1 12. $2x + h + 1$ 13. $(-\infty, 0)$

14. $(f \circ g)(x)$ 15. $(-5, -3)$ 16. 80¢ per flyer 17. $A = \frac{1}{2}d^2$ 18. \$340

Form E:

1. d 2. b 3. c 4. a 5. a 6. b 7. a 8. d 9. a
10. c 11. a 12. b 13. d 14. c 15. b 16. a 17. c 18. d

Form F:

1. c 2. b 3. a 4. d 5. b 6. d 7. d 8. d 9. b
10. a 11. c 12. b 13. c 14. c 15. c 16. b 17. b 18. b